

# D-subminiature Serial Cable – DB25M to DB25F

Model BB-232AMF5



[www.advantech.com](http://www.advantech.com)



## KEY FEATURES

- + Fully molded backshell with strain relief for added protection
- + 26 AWG stranded conductors for flexibility
- + Thumbscrews for tool-less termination
- + Wired straight-through
- + All pins terminated

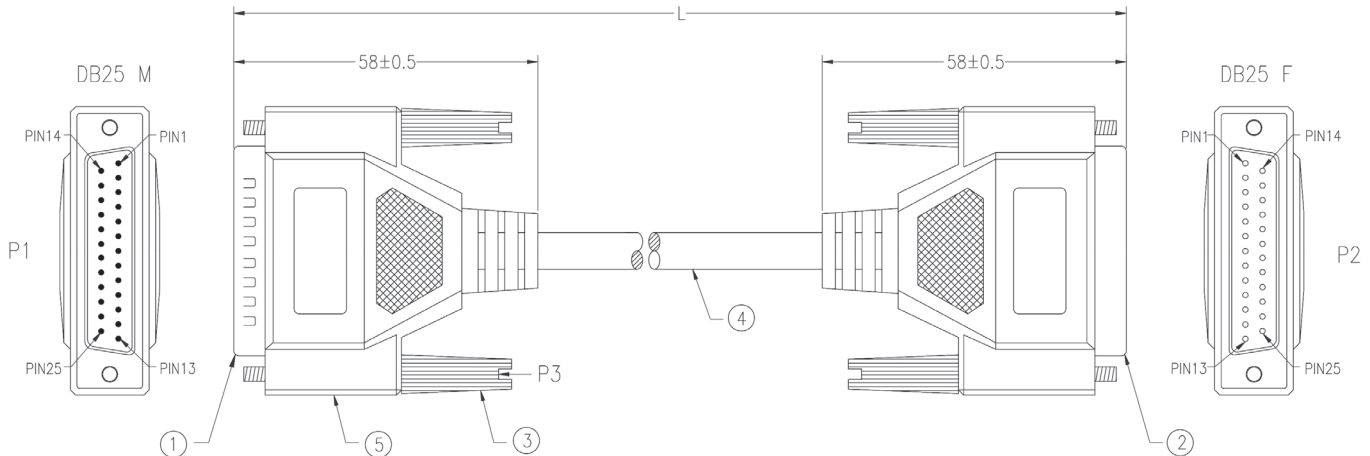
## OVERVIEW

This ready-to-use serial cable features molded connectors and gold plated contacts for superior corrosion resistance to ensure solid connections for the life of the cable. Suitable for connecting 25-pin serial devices to laptops, computers and expansion/interface cards.

## ORDERING INFORMATION

| MODEL NO.  | CONNECTORS                            | LENGTH       | COLOR |
|------------|---------------------------------------|--------------|-------|
| BB-232AMF5 | DB25 Male to DB25 Female Serial Cable | 1.8 m (6 ft) | Beige |

## MECHANICAL DRAWING



- ① DB25 male, gold flash on contacts, blue insulator
- ② DB25 female, gold flash on contacts, blue insulator
- ③ Molded thumbscrew, #4/40, 46.5mm length, beige
- ④ Non-UL 25C 28AWG, aluminum-mylar foil shielding with drain wire, 7.0mm OD, beige jacket
- ⑤ Molded PVC beige, molded PE transparent color, aluminum foil 33x110mm, black heat shrink tube 3.0x30mm

| COLOR       | DB25 M | DB25 F | COLOR             | DB25 M | DB25 F |
|-------------|--------|--------|-------------------|--------|--------|
| Black       | 1      | 1      | Brown/Black       | 14     | 14     |
| Brown       | 2      | 2      | Red/Black         | 15     | 15     |
| Red         | 3      | 3      | Orange/Black      | 16     | 16     |
| Orange      | 4      | 4      | Yellow/Black      | 17     | 17     |
| Yellow      | 5      | 5      | Green/Black       | 18     | 18     |
| Green       | 6      | 6      | Blue/Black        | 19     | 19     |
| Blue        | 7      | 7      | Purple/Black      | 20     | 20     |
| Purple      | 8      | 8      | Gray/Black        | 21     | 21     |
| Gray        | 9      | 9      | White/Black       | 22     | 22     |
| White       | 10     | 10     | Pink/Black        | 23     | 23     |
| Pink        | 11     | 11     | Light Green/Black | 24     | 24     |
| Light Green | 12     | 12     | Light Blue/Black  | 25     | 25     |
| Light Blue  | 13     | 13     | –                 | Shield | Shield |

All product specifications are subject to change without notice.  
BB-232AMF\_Cable\_3419ds

