

Four Port Buffered Serial Smart Switch

Model BB-232BSS4

ADVANTECH

www.advantech.com



PRODUCT FEATURES

- Communicate with four devices from one serial port
- 8 KB Transmit and Receive buffer
- Each port can be independently configured
- RS-232 data rates up to 115.2 kbps
- Setup software for Windows 98, ME, 2000, XP and Vista
- Power supply required, not included, sold separately

DESCRIPTION

Intelligent and versatile, Model BB-232BSS4 serial data switch provides communication to four devices from one serial port. Each port contains a dedicated UART and an 8K byte Transmit and Receive buffer, allowing each port's data rate, data format, and protocol to be configured independently. The Master port can send and receive data from one Slave port while the other Slave ports continue to buffer data. The Master can also broadcast the same message to two or more Slave ports at once. The switch can also be configured to send data automatically to the Master port from each of the Slave ports when data is present with an optional preamble identifying the port. It can also provide two-way communications between the Master port and one Slave port at a time. Switching and control is accomplished through user defined three or four character command strings. These control sequences are stripped from the data stream, making the switch transparent to the Slave devices.

Switches can be cascaded to expand the BB-232BSS4 to more than four ports. Two units can also be used back-to-back to provide automatic connection between devices over a single data channel. LEDs indicate when the unit is powered up and which port is selected to send data to the Master port. Setup software is provided on the included CD and is compatible with Windows 98, ME, 2000, XP, and Vista. A 12VDC power supply with a 2.5mm (positive tip) phone jack is required (sold separately).

The Master port is a DB25 female connector configured as DCE. This provides a direct connection to an IBM PC compatible or other DTE device. When connecting the Master port to a modem, the Master port of another BB-232BSS4, or other device configured as DCE, a null modem adapter is required.

Slave ports are DB9 male connectors configured as DTE for direct connection to a modem or other DCE device. When connecting the Slave ports to a PC compatible or other DTE device, a null modem adapter is required, not included, sold separately.

Data Format: 7 or 8 Data bits, Even, Odd, or No Parity (Master does not support 7 Data bits with no parity), 1 Stop bit (fixed).

ORDERING INFORMATION

MODEL NUMBER	DESCRIPTION
BB-232BSS4	Four-port Buffered Smart Switch

ACCESSORIES – sold separately

BB-SMI6-12V-P230C1 - Power Supply, 12 VDC, 6 Watt, 500mA, 2.5 mm Plug, International AC Input, International AC Blades

BB-232CAM - DB9 Female to DB25 Male Modem Cable, 1.83 m (6 ft)

BB-9PAMF6 - DB9 Male to DB9 Female Serial Adapter Cable, 1.83 m (6 ft)

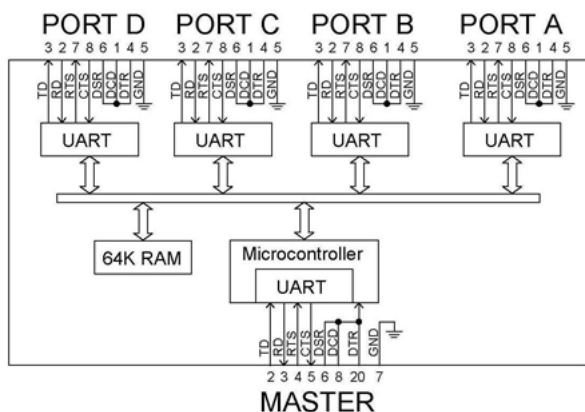
BB-9PAMM6 - DB9 Male to DB9 Male Serial Adapter Cable, 1.83 m (6 ft)

SPECIFICATIONS

Power	Positive, 10 to 15 VDC, 60 mA
Operating Temperature	0 to +70 °C (+32 to +158 °F)
Operating Humidity	0 to 95% Non-condensing
Power Connector	2.5 mm phone jack (positive tip)
Master Port Connector	DB25 female (DCE)
Slave Port Connectors	(4) DB9 male (DTE)
Interface	RS-232 asynchronous
Data Rate	1200 to 115.2 kbps
Flow Control	Hardware (RTS/CTS) or None
Dimensions	19.0 x 11.7 x 3.0 cm (7.5 x 4.6 x 1.2 in)
MTBF	330865 hours (MIL217F Parts Count Reliability Prediction Method)
Software Compatibility	Windows 98, ME, 2K, XP, Vista

REGULATORY APPROVALS

FCC, CE	
CE - Directives	2014/30/EU - Electromagnetic Compatibility 2011/65/EU - Reduction of Hazardous Substances (RoHS) 2012/19/EU - Waste Electrical and Electronic Equipment (WEEE)
CE - Standards	EN 55032, Class B - Electromagnetic Compatibility of Multimedia Equipment - Emission Requirements EN 55024 - Information Technology Equipment - Immunity Characteristics - Limits and methods of measurement



All product specifications are subject to change without notice.
232BSS4_4818ds

ADVANTECH

orders@advantech-bb.com | eSales@advantech-bb.com

Headquarters: 707 Dayton Rd, PO Box 1040 Ottawa, IL 61350 USA (815)433-5100 or (800)346-3119/Toll Free Fax (815)433-5104
European Office: Westlink Commercial Pk, Oranmore Co. Galway Ireland +353 91 792444 Fax +353 91 792445