

# DB9F to 8-wire RJ-45 Modular Jack Adapter

Model BB-9F8CK

**ADVANTECH**

[www.advantech.com](http://www.advantech.com)



## KEY FEATURES

- + Convert RS-232 interface to RJ-45 female interface
- + Convenient kit for easy on-the-spot field wiring
- + Enables long distance serial to network communication
- + Supports custom serial pin-out configurations
- + Full molded back-shell with strain relief for extra protection

Model# BB-9F8CK modular jack adapter features a DB9 male connector, an RJ45 female connector and eight wire leads. Used for modular RS-232 connections, the adapter converts DB9 female serial connections to RJ45 female connections (phone jack, network jack). The BB-9F8CK also allows customized serial pin-out configurations.

## ORDERING INFORMATION

MODEL NO.	DESCRIPTION
BB-9F8CK	DB9 Female to 8-wire RJ-45 Modular Jack Adapter

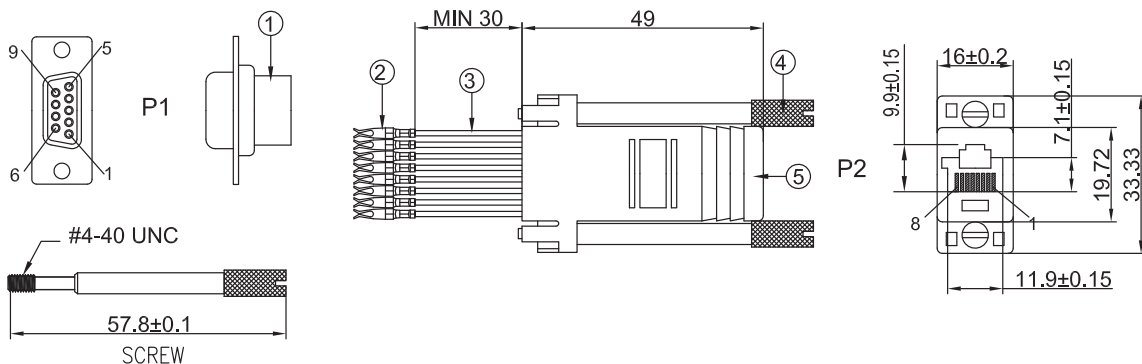
## PIN ASSIGNMENT

Jack	Wire Color
1	Blue
2	Orange
3	Black
4	Red
5	Green
6	Yellow
7	Brown
8	White

## SPECIFICATIONS

Connector 1	DB9 female, gold flash
Connector 2	RJ-45 female, 8-position
Hook-up Wires	Stranded, 26AWG, 80 mm
Terminals	Female crimp, 2.1 mm
Housing Material	ABS UL94V-0, black
Voltage Rating	300V
Electrical Testing	1M Ohm insulation resistance
Dimensions	31.0 x 38.1 x 12.5 mm
Compliances	RoHS, WEEE

## MECHANICAL DRAWING



All product specifications are subject to change without notice.  
BB-9F8CK\_4520ds

**ADVANTECH**

Advantech B+B SmartWorx, 707 Dayton Road, PO Box 1040 Ottawa, IL 61350 USA 1 (800)346-3119/Toll Free | [orders@advantech-bb.com](mailto:orders@advantech-bb.com) | [support@advantech-bb.com](mailto:support@advantech-bb.com)