

Country of Origin : China  
 Operating Temperature : 0~40 [°C]  
 Dimension : 65 x 45 x 30 [mm]  
 Certified AC Plugs: USA/Japan  
 Efficiency level (ErP) : VI



Approvals / Marks :



**Specifications**

Model	Voltage DC [V]	Loading [A]	Max. Power [W]	Ripple / Noise [mV] p-p	Connector [mm]
BB-RPS-v2-WR2-US	12	0~1.0	12	200	Terminal Block 2PIN

SUNNY PN: SYS1561-1212-W2 (Terminal Block 2PIN) 2wc 1.5m (5ft), customer logo ADVANTECH

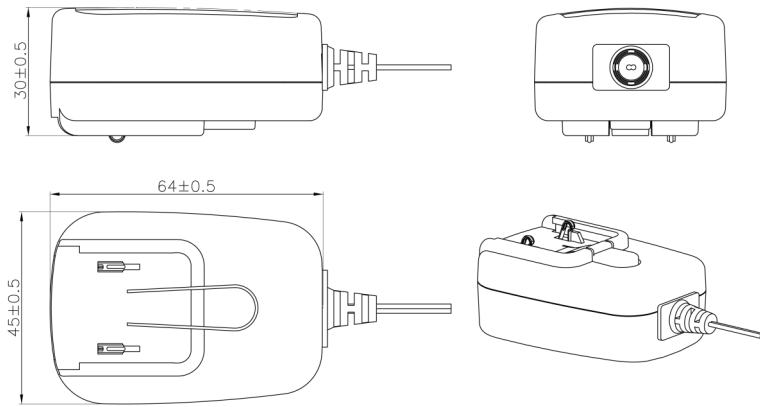
**Features:**

W2 - USA, Canada, Japan, Taiwan  
 Regulated Output With Low Ripple Noise | Safety Agency Requirements and EMI/EMS Certified  
 2 Years Warranty

OUTPUT	
Turn delay	5000 ms max @ AC low line input@output full load
Hold up time	5ms min@AC nominal input@output full load (>half cycle)
Efficiency (Normal)	Meet CEC,DOE,ERP,MEPS Level VI @115v/60HZ,230V/50HZ
Transient response (dv,tmax)	0.3v dv max At AC nominal input loading from 50% load to max load or peak load 8ms tmax   Dynamic rise time 10uS max , duty 40mS max , Dynamic load step is slew rate of 0.5A/uS
Power out.Limit	Peak 13W for SYS1561-1212
Burn in limit	Full load 2 Hours
Power consumption	Less than 0.075W ms max. At AC nominal input@output min load
INPUT	
Voltage	(90~264)VAC
Frequency	(47~63)hz
Current	0.5A rms @ AC low line input and DC output full load
Inrush Surge Current (cold start)	40/60A max@power supply cold start,ambient temperature 25°C @115Vac/230Vac nominal AC input
leakage current	0.25mA Max
PROTECTION	
Over current/ Short protection	The power supply will self-protect any output to ground & auto recovery when abnormal circuit faults remove. An output short circuit is defined as any output impedance less than 0.1 ohms.
Over Voltage	The power supply will be auto recovered when faults remove
Input protection	F1:1A 250V Fuse The power supply shall be protected against power line surges and any abnormal condition
No Load protection	The power supply is provided with no load operation to prevent the power supply and system from damage.
Protection class	II

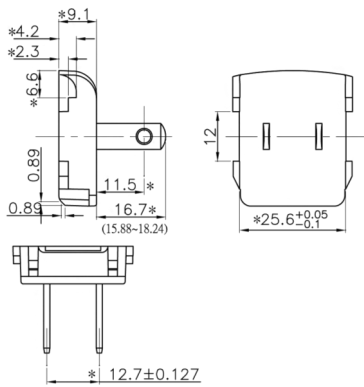
CE	
EMC	2014/30/EU
LVD	2014/35/EU EN 60950-1:2006+A11+A1+A12+A2
SAFETY	
UL   GS   CB   CE   FCC  BSMI   PSE   SAA   RCM   EAC	
OTHERS	
Dielectric Strength (Hi-pot)	Primary to Secondary:3000VAC 10mA/60S
M.T.B.F	500,000 Calculated Hours at 25°C, by Telcordia SR-332
Cable Length	1500mm (5 feet)
PLD (power line disturbance)	Line power surge   Line voltage SAG-more info on request
Cooling method	Natural Convection Cooling
Housing material	PC
Temperature coefficient:	< ±0.5% / °C
ENVIRONMENT	
Temperature	Operating: (0 ~ 40)°C / Storage: (-20 ~ 85)°C
Humidity	Operating: 8%-90%RH / Storage: 5%-95% RH non condens-ing
WEIGHT	
NW:	70g/pc
GW:	95g/pc
PACKING	
Carton box	small box 1pc / 116x54x84mm

**Mechanical case specification:**



**Mechanical specification (country housing):**

US / Japan type (W2)



**Cable specification:**

2468#24\*2C PVC.BLACK 80°C.300V VW-1

