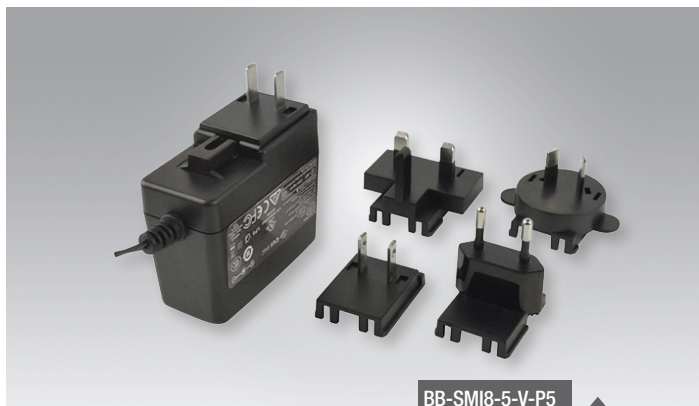


BB-SMi18-5-V-P5

BB-SMI1812VP230C1

AC-DC Power Supplies - 18W



BB-SMi18-5-V-P5

Features

- DOE Level VI, CEC, ErP Stage 2 Energy Efficiency
- Universal Input Voltage Range – 90 to 264V AC
- Single Regulated DC Output
- No Load Power Consumption, < 0.1W
- Over-voltage, Over-current, Short Circuit Protections
- Interchangeable, International AC Input Blades (kit included)
(North America, Europe, UK, Australia, China)

Introduction

The BB-SMi18-x series is an 18 Watt wall plug-in AC-DC power supply adapters with interchangeable AC blades. These high efficiency power supplies utilize the latest in green power technology. The series meets the latest US DoE Level VI efficiency standards in addition to the proposed and more stringent EU CoC Tier 2 requirements.

Designed for global use, BB-SMi18-x adapters include plug options for North America, Europe, United Kingdom, Australia and China.

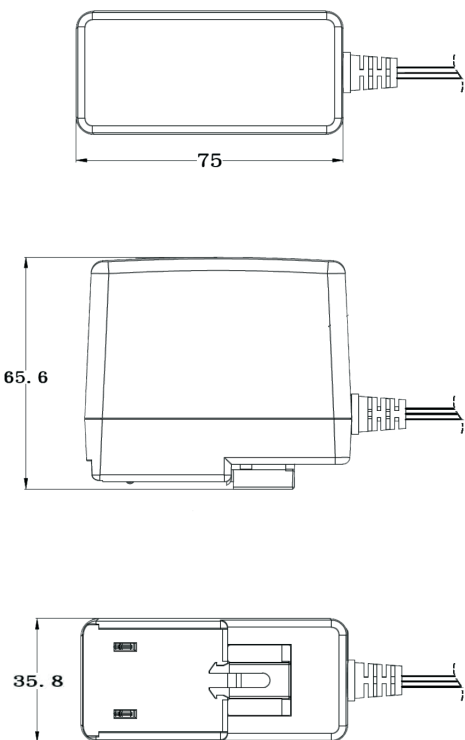
Ordering Information

Model No.	Output Voltage (Vdc)	Output Current (A, max.)	Output Power (W, max.)	Ripple & Noise ¹ (mVp-p,max.)	Output Plug
BB-SMi18-5-V-P5	5	3	15	100	Standard DC Straight Plug
BB-SMI1812VP230C1	12	1.6	19.2	120	Jack

¹. At full load, nominal input, 20 MHz bandwidth oscilloscope, each output terminated with 0.1 μ F multi-layer ceramic and 10 μ F low ESR electrolytic capacitors.

Mechanical Drawing - Power Supply

Units = mm



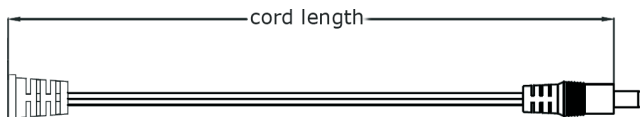
Mechanical Drawing - AC Input Blades

Units = mm

INTERCHANGEABLE BLADES					
BLADE DESIGNATOR	N	E	B	A	C
REGION	North America	Europe	UK	Australia	China
BLADE ACCESSORY	SMI-US-2	SMI-EU-2	SMI-UK-2	SMI-AU-2	SMI-CN-2
BLADE					

Mechanical Drawing - DC Cord

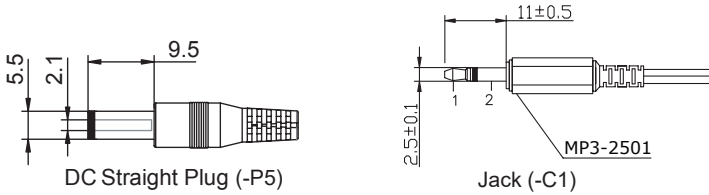
Units = mm



Model No.	Cable	Cord Length
BB-SMi18-5-V-P5	UL2468, 18 AWG	1,500 mm \pm 30
BB-SMI1812VP230C1	UL2468, 20 AWG	1,500 mm \pm 30

Mechanical Drawing - Output Plugs

Units = mm



Specifications

Parameter	Conditions / Description	Minimum	Typical	Maximum	Units
Power – Input					
Voltage	-	90	-	264	Vac
Frequency	-	47	-	63	Hz
Current	-	-	-	0.48	A
In-rush Current	At 100V AC, full load, 25 °C, cold start At 230V AC, full load, 25 °C, cold start	-	-	50 60	Vdc Vdc
Leakage Current	-	-	-	0.25	mA
No-load Power Consumption	At 230 Vac	-	-	0.1	W
Power – Output					
Regulation	5V DC output model All other models	-	± 6 ± 5	-	% %
Hold-up Time	At full load	10	-	-	ms
Protections					
Over-Voltage Protection	Output shut down 5V DC output model 12V DC output model	- - -	- - -	- 12 22	- V DC V DC
Over-Current Protection	Output shut down, auto recovery 5V DC output model 12V DC output model	- - -	- - -	- 7 5	- A A
Short Circuit Protection	output shut down, auto recovery	-	-	-	-
MTBF	As per Telcordia SR-332, 25 °C	300,000	-	-	hours
Environmental					
Operating Temperature	-	0	-	40	°C
Storage Temperature	-	-20	-	80	°C
Operating Humidity	Non-condensing	20	-	80	%
Storage Humidity	Non-condensing	10	-	90	%
Mechanical					
Dimensions	75 x 35.8 x 65.6 mm	-	-	-	mm
Inlet Plug	Interchangeable blades (North America, Europe, United Kingdom, Australia, China)	-	-	-	-
Weight	Without blades	-	170	-	g
Safety					
Isolation Voltage	Input to output at 10 mA for 1 minute	-	3,000	-	V AC
Isolation Resistance	Input to output at 500V DC	10	-	-	MΩ
Regulatory – Approvals / Standards / Directives					
Safety Approvals	UL/cUL, RCM, CCC, PSE	-	-	-	-
EMI/EMC	FCC Part 15 Class B	-	-	-	-
Environmental	RoHS: 2011/65/EU amended by 2015/863/EU	-	-	-	-
Directives:	Standards:				
2014/30/EU - Electromagnetic Compatibility Directive	EN 55032: 2012+AC: 2013 / CISPR 32:2012 (EQV), Class B				
2014/35/EU - European Low Voltage Directive	EN 55024: 2010+A1: 2015 / CISPR 24:2010 + A1:2015, IEC 61000-4 Series EN 61000-3-2: 2014 & EN 61000-3-3: 2013				