

AC-DC Power Supply

6W, 12 V, 0.5 A

Model BB-SMi6B-12-4-P5

ADVANTECH

www.advantech.com



- + DOE Level VI, CoC, Tier 2 Energy Efficiency
- + Universal Input Voltage Range: 90 ~ 264 Vac
- + Up to 6 Watt Continuous Output Power
- + Single Regulated DC Output: 5 ~ 15 Vdc
- + Interchangeable, International AC Input Blades (kit included)
(North America, Europe, UK, Australia)
- + Over-voltage and Short Circuit Protections
- + cULus, GS, RCM, CCC, PSE, CE, RoHS, FCC

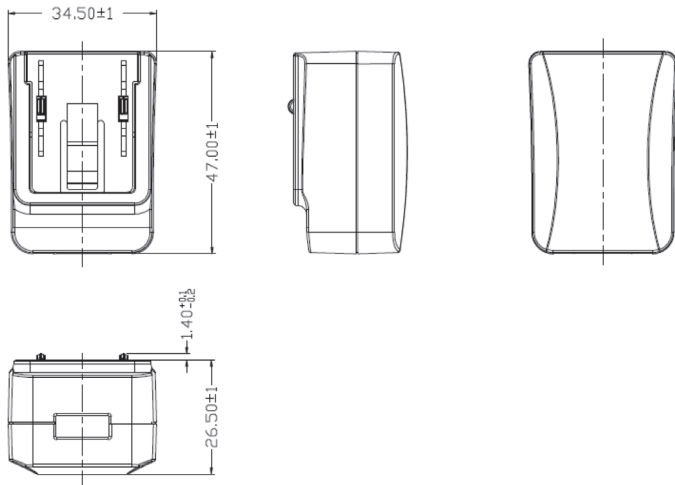
OVERVIEW

The BB-SMi6B-12-4-P5 is a 6W wall plug-in AC-DC power supply with interchangeable AC blades. This high efficiency power supply is designed to meet the latest US DoE Level VI efficiency standards in addition to the proposed and more stringent EU CoC Tier 2 requirements.

Designed for global use, BB-SMi6B-12-4-P5 power adapter includes plug options for North America, Europe, United Kingdom and Australia.

MECHANICAL - HOUSING

Units = mm



ORDERING INFORMATION

MODEL NUMBER	OUTPUT VOLTAGE (VDC)	OUTPUT CURRENT (A, max)	OUTPUT POWER (W, max)	RIPPLE & NOISE ¹ (mVp-p, max)	OUTPUT PLUG
BB-SMi6B-12-4-P5	12	0.5	6	300	Standard DC Straight Plug

1. At full load, 100-240Vac input, 20 MHz bandwidth oscilloscope, output terminated with 0.1 μ F and 10 μ F capacitors.

MECHANICAL - AC INPUT BLADE OPTIONS

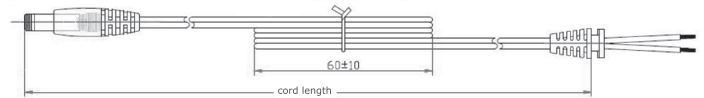
Units = mm

INTERCHANGEABLE BLADES

BLADE DESIGNATOR	N	E	B	A
REGION	North America	Europe	UK	Australia
BLADE ACCESSORY	SMI-US-3	SMI-EU-3	SMI-UK-3	SMI-AU-3
BLADE				

MECHANICAL - DC CORD

Units = mm



Model No.	Cable	Cord Length
BB-SMi6B-12-V-4-P5	UL2468, 24 AWG	1,530 mm \pm 50

All product specifications are subject to change without notice.
BB-SMi6B-12-4-P5_PowerSupply_4620ds

ADVANTECH

Advantech B+B SmartWorx, 707 Dayton Road, PO Box 1040 Ottawa, IL 61350 USA 1 (800)346-3119/Toll Free | orders@advantech-bb.com | support@advantech-bb.com

AC-DC Power Supply

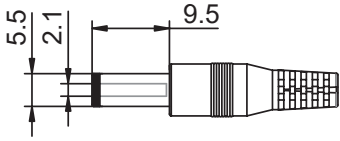
6W, 12 V, 0.5 A

Model BB-SMi6B-12-4-P5



MECHANICAL - OUTPUT PLUG

Units = mm



DC Standard Straight Plug

DC Plug Polarity:
Center Positive



SPECIFICATIONS

PARAMETER	CONDITIONS / DESCRIPTION	MINIMUM	TYPICAL	MAXIMUM	UNITS
POWER - INPUT					
Voltage	-	90	-	264	V AC
Frequency	-	47	-	63	Hz
Current	-	-	-	0.2	A
Leakage Current	Nominal AC input and frequency	-	-	0.25	mA
No-load Power Consumption	115 / 230 Vac, 60/50 Hz	-	-	0.075	W
POWER - OUTPUT					
Line Regulation	-	-	+/- 5	-	%
Load Regulation	-	-	+/- 5	-	%
Start-up Time	115 Vac input	-	-	3	s
Rise Time	90~264 Vac input	-	-	100	ms
Hold-up Time	Nominal input	5	-	-	ms
PROTECTIONS / SAFETY					
Over-Voltage Protection	Output shut down, auto recovery	-	-	1.0	A
Short Circuit Protection	Output shut down, auto recovery	-	-	-	-
Isolation Resistance	Input to output at 500V DC	100	-	-	MΩ
MTBF	Telecordia SR-332, Issue 2 at 115/230 Vac, full load, 0~40 °C	50,000	-	-	hours
ENVIRONMENTAL					
Operating Temperature	-	0	-	40	°C
Storage Temperature	-	-20	-	60	°C
Operating Humidity	Non-condensing	20	-	85	%
Storage Humidity	Non-condensing	5	-	95	%
MECHANICAL					
Dimensions	47.0 x 34.5 x 26.5	-	-	-	mm
Inlet Plug	Interchangeable blades (North America, Europe, United Kingdom, Australia)	-	-	-	-
Weight	Power supply, without blades	-	50	-	gm
APPROVALS / CERTIFICATIONS					
Safety Approvals	UL/cULus, GS, RCM, CCC, PSE, 62368-1	-	-	-	-
EMI/EMC	FCC Part 15B Class B, CE	-	-	-	-
Environmental	RoHS	-	-	-	-