

DA-820C-Ethernet Series Expansion Modules

Ethernet expansion modules for DA-820C Series computers



Features and Benefits

- 2-port Giga LAN PRP/HSR module
- IEC 62439-3 Clause 4 (PRP) and Clause 5 (HSR) compliant

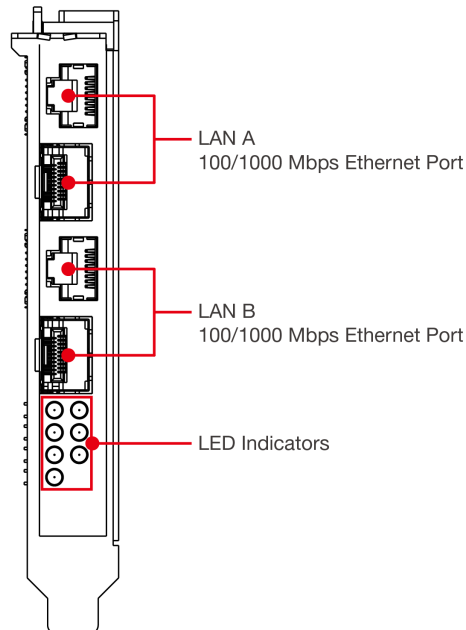
Certifications



Introduction

The DA-PRP-HSR-I210 expansion card model is compliant with IEC 62439-3 Clause 4 (PRP) and IEC 62439-3 Clause 5 (HSR) to ensure the highest system availability and data integrity for mission-critical applications that require redundancy and zero-time recovery. With a dual Gigabit Ethernet combo port design, the expansion card provides high performance for redundant network systems. In addition, it features a built-in native PRP/HSR management middleware with MMS server that allows SCADA to collect IEC62439-3 registers from multiple devices for easy network diagnosis, troubleshooting, device management, and monitoring.

Appearance



Specifications

Ethernet Interface

10/100/1000BaseT(X) Ports PRP/HSR Ports	2
100/1000BaseSFP PRP/HSR Ports	2
Magnetic Isolation Protection	1.5 kV (built-in)

Physical Characteristics

Dimensions	169.54 x 111.15 mm (6.68 x 4.38 in)
Weight	185 g (0.41 lb)

Environmental Limits

Operating Temperature	-25 to 55°C (-13 to 131°F)
-----------------------	----------------------------

Standards and Certifications

EMC	EN 55032/24
EMI	CISPR 22, FCC Part 15B Class A

Declaration

Green Product	RoHS, CRoHS, WEEE
---------------	-------------------

MTBF

Time	1,743,211 hrs
Standards	Telcordia SR332

Warranty

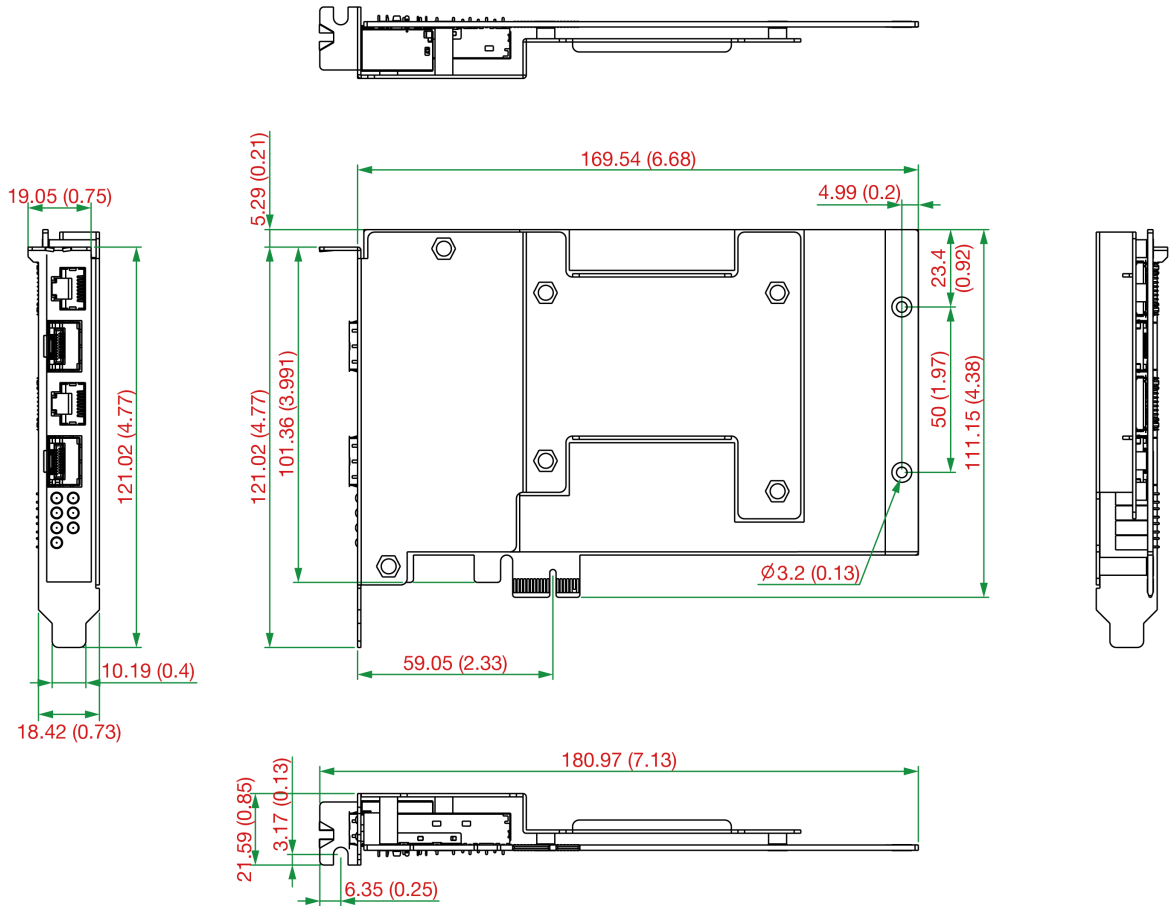
Warranty Period	3 years
Details	See www.moxa.com/warranty

Package Contents

Device	1 x DA-820C-Ethernet Series expansion card
Documentation	1 x warranty card

Dimensions

Unit: mm (inch)



Ordering Information

Model Name	Description
DA-PRP-HSR-I210	PRP/HSR expansion card with a RJ45 and SFP combo port

© Moxa Inc. All rights reserved. Updated Aug 11, 2021.

This document and any portion thereof may not be reproduced or used in any manner whatsoever without the express written permission of Moxa Inc. Product specifications subject to change without notice. Visit our website for the most up-to-date product information.