

DA-682C-Ethernet Series Expansion Modules

Ethernet expansion modules for DA-682C Series computers



Features and Benefits

- 4-port Gigabit LAN module
- 2-port Giga LAN PRP/HSR module
- IEC 62439-3 Clause 4 (PRP) and Clause 5 (HSR) compliant

Certifications



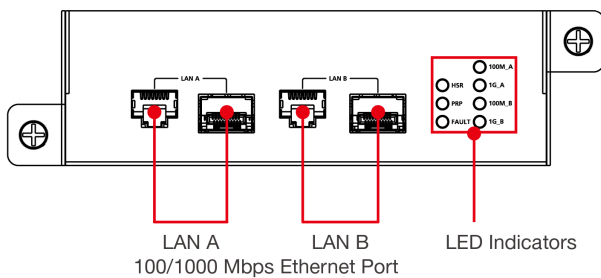
Introduction

DA-682C-Ethernet Series peripheral expansion modules include a 4-port Giga LAN module, a 4-port 100M/1000M Fiber module, and a PRP/HSR module for setting up industrial communication applications with Ethernet-based devices. All modules are designed to offer the greatest flexibility for setting up applications and performing industrial tasks.

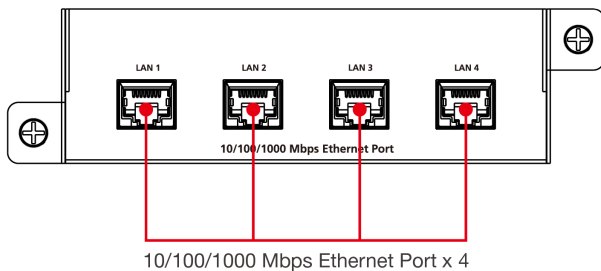
The DN-PRP-HSR-I210 expansion module is compliant with IEC 62439-3 Clause 4 (PRP) and IEC 62439-3 Clause 5 (HSR) to ensure the highest system availability and data integrity for mission-critical applications that require redundancy and zero-time recovery. With its dual Gigabit Ethernet port design, the DN-PRP-HSR-I210 module provides high performance for redundant network systems.

Appearance

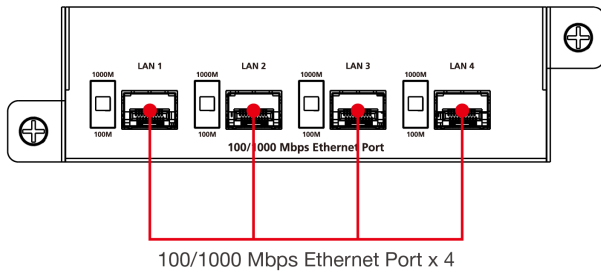
DN-PRP-HSR-I210



DN-LN04-RJ



DN-FX04



Specifications

Ethernet Interface

100/1000BaseSFP Ports	DN-FX04: 4
10/100/1000BaseT(X) Ports (RJ45 connector)	DN-LN04-RJ: 4
10/100/1000BaseT(X) Ports PRP/HSR Ports	DN-PRP-HSR-I210: 2
Magnetic Isolation Protection	1.5 kV (built-in)

Declaration

Green Product	RoHS, CRoHS, WEEE
---------------	-------------------

Physical Characteristics

Dimensions	166 x 43 x 183 mm (6.54 x 1.69 x 7.20 in)
------------	---

MTBF

Time	DN-PRP-HSR-I210: 1,743,211 hrs DN-FX04: 1,721,867 hrs DN-LN04-RJ: 1,943,353 hrs
Standards	Telcordia (Bellcore), GB

Warranty

Warranty Period	3 years
Details	See www.moxa.com/warranty

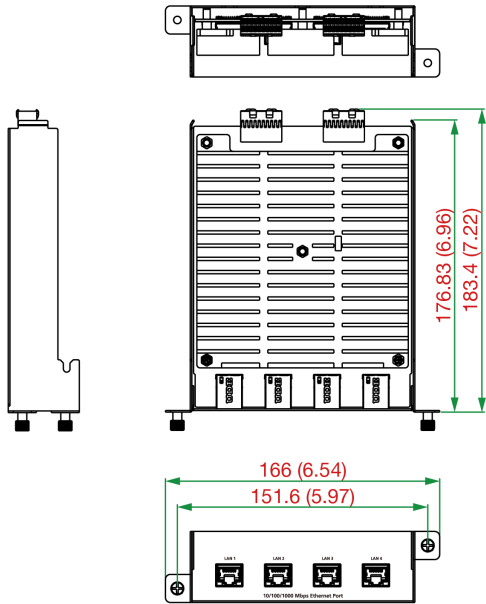
Package Contents

Device	1 x DA-682C-Ethernet Series expansion module
Documentation	1 x warranty card

Dimensions

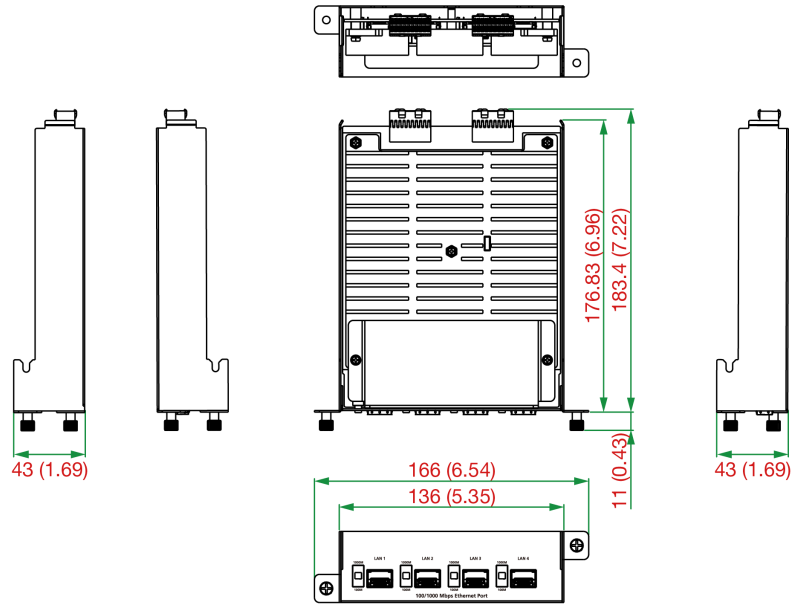
DN-LN04-RJ

Unit: mm (inch)



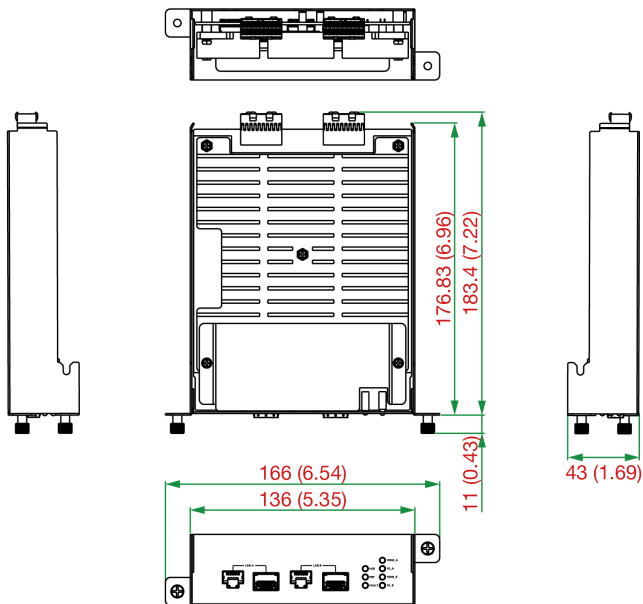
DN-FX04

Unit: mm (inch)



DN-PRP-HSR-I210

Unit: mm (inch)



Ordering Information

Model Name	Description
DN-PRP-HSR-I210	PRP/HSR expansion module with a RJ45 and SFP combo port
DN-LN04-RJ	4-port 10/100/1000 Mbps PCIe LAN module with RJ45 connectors
DN-FX04	4-port 100M/1000M SFP Ethernet module

© Moxa Inc. All rights reserved. Updated Aug 11, 2021.

This document and any portion thereof may not be reproduced or used in any manner whatsoever without the express written permission of Moxa Inc. Product specifications subject to change without notice. Visit our website for the most up-to-date product information.