

# EKI-2706E-1GFP/I-AE

# EKI-2706G-1GFP/I-AE

## 4FE PoE+1GE+1G SFP Unmanaged Industrial Switch

## 4GE PoE+1GE+1G SFP Unmanaged Industrial Switch



EKI-2706E-1GFP/I

EKI-2706G-1GFP/I



### Features

- Supports 10/100/1000 Mbps Auto Negotiation (EKI-2706G)
- Supports jumbo frame transmission up to 9 kbytes
- DIN-rail with IP30 metal mechanism
- Redundant 48 V<sub>DC</sub> power input
- Provides broadcast storm protection
- 4 x IEEE 802.3 af/at PoE /PoE+ ports + 1 x Gigabit Copper + 1 Gigabit SFP ports

### Introduction

The EKI-2706 series supports 48V<sub>DC</sub> redundant power input and is secured with a double protection mechanism: Power Polarity Reverse Protection and an Overload Current Fuse. The EKI-2706 series supports up to 4-port IEEE 802.3 af/at PoE /PoE+ ports. Each port of EKI-2706 has two LED's to show the link status, transmission speed, and collision status. It also provides a relay output for an event alarm. In the event of a power failure, the built-in LED will activate the alarm to notify administrators. Engineers can simply verify the hardware status by checking the LED to make troubleshooting quick and easy. EKI-2706 comes with a compact metal housing rated at IP30 to protect against dusty industrial environments.

### Specifications

#### Communications

- **Standard** IEEE 802.3, 802.3u, 802.3x, 802.1ab, 802.1z
- **LAN** EKI-2706E-1GFP/I :  
4 x 10/100Mbps(RJ-45)+1 x 10/100/1000Mbps(RJ-45)  
+1 x 100/1000Mbps(SFP)  
EKI-2706G-1GFP/I :  
5 x 10/100/1000Mbps(RJ-45)+1 x 100/1000Mbps(SFP)
- **Transmission Distance** Ethernet: Up to 100 m (4-wire Cat.5e, Cat.6 RJ45 cable)  
SFP: Up to 110 km (depends on SFP)
- **Transmission Speed** Ethernet: 10/100 Mbps Auto-Negotiation  
Gigabit Copper: 10/100/1000 Mbps, Auto-Negotiation  
Gigabit Fiber: Up to 1000 Mbps

#### Interface

- **Connectors** 5 x RJ-45 + 1 x SFP  
6-pin removable screw terminal (power & relay)
- **LED Indicators** P1, P2, P-Fail  
Link / Speed / Activity

#### Power

- **Power Consumption** Max. 2 W
- **Power Input** 48 V<sub>DC</sub>
- **Fault Output** 1 Relay Output, 1 A @ 24 V<sub>DC</sub>
- **Power Budget** 90W

#### Mechanism

- **Dimensions (W x H x D)** 30 x 140 x 95 mm (1.18" x 5.51" x 3.74")
- **Enclosure** IP30, metal shell with solid mounting kits
- **Mounting** DIN-rail, Wall

#### Protection

- **Power Reverse** Present
- **Overload current** Present

#### Environment

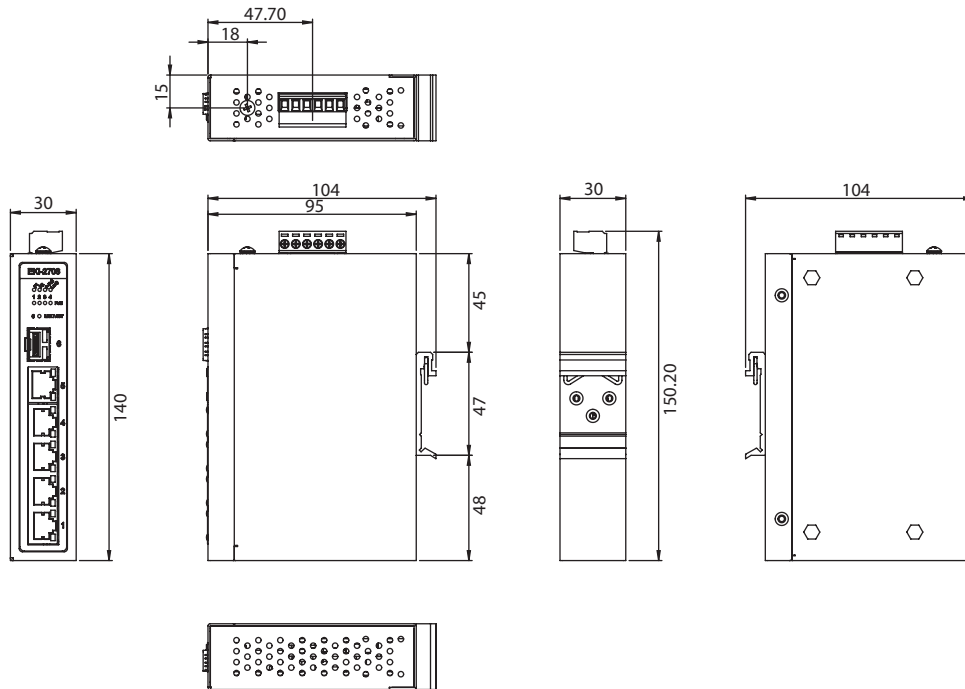
- **Operating Temperature** EKI-2706E-1GFP & EKI-2706G-1G1FP :  
-10 ~ 60 °C (14 ~ 140 °F)  
EKI-2706E-1GFP1 & EKI-2706G-1G1FP1 :  
-40 ~ 75 °C (-40 ~ 167 °F)
- **Storage Temperature** -40 ~ 85 °C (-40 ~ 185 °F)
- **Operating Humidity** 10 ~ 95% (non-condensing)
- **Storage Humidity** 10 ~ 95% (non-condensing)
- **MTBF** 1,697,086 hours

#### Certification

- **Safety** UL 62368
- **EMI** CE, FCC Class A
- **EMS** EN 61000-4-2  
EN 61000-4-3  
EN 61000-4-4  
EN 61000-4-5  
EN 61000-4-6  
EN 61000-4-8
- **Shock** IEC 60068-2-27
- **Freefall** IEC 60068-2-32
- **Vibration** IEC 60068-2-6
- **Patent** <http://www.advantech.com/legal/patent>

## Dimensions

Unit: [mm]



**Panel Cut-out Dimensions: 30 x 140 x 95 mm (1.18" x 5.51" x 3.74")**

## Ordering Information

- **EKI-2706E-1GFP-AE** 4FE PoE+1GE+1G SFP Unmanaged Industrial PoE Switch
- **EKI-2706E-1GFPI-AE** 4FE PoE+1GE+1G SFP Unmanaged Industrial PoE Switch w/Wide temp.
- **EKI-2706G-1GFP-AE** 4GE PoE+1GE+1G SFP Unmanaged Industrial PoE Switch
- **EKI-2706G-1GFPI-AE** 4GE PoE+4GE+1G SFP Unmanaged Industrial PoE Switch w/Wide temp.