

# EDS-205A/208A Series

## 5 and 8-port unmanaged Ethernet switches



- > 10/100BaseT(X) (RJ45 connector), 100BaseFX (multi/single-mode, SC or ST connector)
- > Redundant dual 12/24/48 VDC, 18 to 30 VAC power inputs
- > IP30 aluminum housing
- > Rugged hardware design well suited for hazardous locations (Class I Div. 2 /ATEX) and maritime environments (DNV/GL)
- > -40 to 75°C operating temperature range (T models)



### Introduction

The EDS-205A/208A series are 5 and 8-port industrial Ethernet switches that support IEEE 802.3 and IEEE 802.3u/x with 10/100M full/half-duplex, MDI/MDI-X auto-sensing. The EDS-205A/208A switches provide 12/24/48 VDC (9.6 to 60 VDC), 18 to 30 VAC redundant power inputs that can be connected simultaneously to live AC/DC power sources. These switches have been designed for harsh industrial environments, such as in maritime (DNV/GL) or hazardous locations (Class I Div. 2, ATEX Zone 2) that comply with FCC, TUV, UL, and CE standards.

The EDS-205A/208A switches are available with a standard operating temperature range from -10 to 60°C, or with a wide operating temperature range from -40 to 75°C. All models are subjected to a 100% burn-in test to ensure that they fulfill the special needs of industrial automation control applications. In addition, the EDS-205A/208A switches have DIP switches for enabling or disabling broadcast storm protection, providing another level of flexibility for industrial applications.

### Specifications

#### Technology

##### Standards:

IEEE 802.3 for 10BaseT  
 IEEE 802.3u for 100BaseT(X) and 100BaseFX  
 IEEE 802.3x for Flow Control

**Processing Type:** Store and Forward

**Flow Control:** IEEE 802.3x flow control, back pressure flow control

##### Interface

**Fiber Ports:** 100BaseFX ports (SC/ST connector, multi-mode, single-mode)

**RJ45 Ports:** 10/100BaseT(X) auto negotiation speed, Full/Half duplex mode, and auto MDI/MDI-X connection

**DIP Switches:** Enable/Disable broadcast storm protection

**LED Indicators:** Power, 10/100M (TP port), 100M (fiber port)

##### Optical Fiber

	100BaseFX	
	Multi-mode	Single-mode
Wavelength	1300 nm	1310 nm
Max. TX	-10 dBm	0 dBm
Min. TX	-20 dBm	-5 dBm
RX Sensitivity	-32 dBm	-34 dBm
Link Budget	12 dB	29 dB
Typical Distance	5 km <sup>a</sup> 4 km <sup>b</sup>	40 km <sup>c</sup>
Saturation	-6 dBm	-3 dBm

a. 50/125 μm, 800 MHz\*km fiber optic cable  
 b. 62.5/125 μm, 500 MHz\*km fiber optic cable  
 c. 9/125 μm single-mode fiber optic cable

#### Power Requirements

**Input Voltage:** 12/24/48 VDC (9.6 to 60 VDC), 18 to 30 VAC (47 to 63 Hz), redundant dual inputs

##### Input Current:

EDS-205A: 0.091 A @ 24 V  
 EDS-208A: 0.13 A @ 24 V  
 EDS-208A-M: 0.17 A @ 24 V  
 EDS-208A-MM/SS: 0.22 A @ 24 V

**Overload Current Protection:** 1.1 A

**Connection:** 1 removable 4-contact terminal block

**Reverse Polarity Protection:** Present

#### Physical Characteristics

**Housing:** Aluminum, IP30 protection

##### Dimensions:

EDS-205A: 30 x 115 x 70 mm (1.18 x 4.52 x 2.76 in)  
 EDS-208A: 50 x 115 x 70 mm (1.96 x 4.52 x 2.76 in)

##### Weight:

EDS-205A: 175 g  
 EDS-208A: 275 g

**Installation:** DIN-Rail mounting, wall mounting (with optional kit)

#### Environmental Limits

##### Operating Temperature:

Standard Models: -10 to 60°C (14 to 140°F)  
 Wide Temp. Models: -40 to 75°C (-40 to 167°F)

**Storage Temperature:** -40 to 85°C (-40 to 185°F)

**Ambient Relative Humidity:** 5 to 95% (non-condensing)

## Regulatory Approvals

**Safety:** UL508

**Hazardous Location:** UL/cUL Class I, Division 2, Groups A, B, C and D (Pending); ATEX Zone 2, Ex nC IIC (Pending)

**EMI:** FCC Part 15, CISPR (EN55022) class A

**EMS:**

EN61000-4-2 (ESD), level 3

EN61000-4-3 (RS), level 3

EN61000-4-4 (EFT), level 3

EN61000-4-5 (Surge), level 3

EN61000-4-6 (CS), level 3

EN61000-4-8

EN61000-4-11

**Maritime:** DNV (Pending), GL (Pending)

**Shock:** IEC 60068-2-27

**Freefall:** IEC 60068-2-32

**Vibration:** IEC 60068-2-6

*Note: Please check Moxa's website for the most up-to-date certification status.*

**MTBF** (mean time between failures)

**Time:** 425,000 hrs

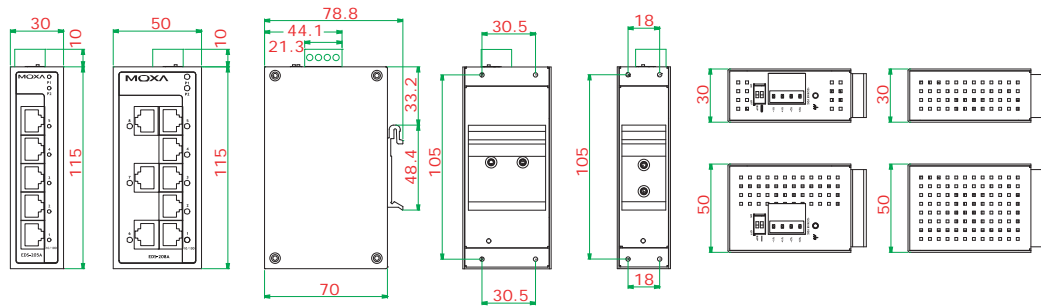
**Database:** Telcordia (Bellcore), GB

**Warranty**

**Warranty Period:** 5 years

**Details:** See [www.moxa.com/warranty](http://www.moxa.com/warranty)

## Dimensions (unit = mm)



Front Views

Side View

Rear Views

Top & Bottom Views

## Ordering Information

Available Models		Port Interface			
Standard Temperature (-10 to 60°C)	Wide Temperature (-40 to 75°C)	10/100BaseT(X)	100BaseFX		
			Multi-mode, SC Connector	Multi-mode, ST Connector	Single-mode, SC Connector
EDS-205A	EDS-205A-T	5	---	---	---
EDS-208A	EDS-208A-T	8	---	---	---
EDS-208A-M-SC	EDS-208A-M-SC-T	7	1	---	---
EDS-208A-M-ST	EDS-208A-M-ST-T	7	---	1	---
EDS-208A-MM-SC	EDS-208A-MM-SC-T	6	2	---	---
EDS-208A-MM-ST	EDS-208A-MM-ST-T	6	---	2	---
EDS-208A-S-SC	EDS-208A-S-SC-T	7	---	---	1
EDS-208A-SS-SC	EDS-208A-SS-SC-T	6	---	---	2

### Optional Accessories (can be purchased separately)

**DR-4524/75-24/120-24:** 45/75/120 W DIN-Rail 24 VDC power supplies

**MDR-40-24/60-24:** 40/60 W DIN-Rail 24 VDC power supplies, -20 to 70°C operating temperature

**WK-46:** Wall mounting kit (EDS-208A series only)

**WK-30:** Wall mounting kit (EDS-205A series only)

**RK-4U:** 4U-high 19" rack mounting kit