

# ANT-CQB-AHSM-00-3m Series

Quad-band GSM/GPRS/EDGE, 0 dBi, omni-directional, magnetic base antennas



## Features and Benefits

- Small size for easy installation
- Lightweight for portable deployment
- Magnetic base mount
- Detachable design for easy mounting
- 3-meter cable
- SMA connector (male) supported

## Introduction

The ANT-CQB-AHSM-00-3m is a cellular quad-band GSM/GPRS/EDGE omni-directional antenna that comes with a magnetic-base mount and a 3-meter cable. The antenna is designed to operate in temperatures from -30 to 75°C.

## Specifications

### Antenna Characteristics

Frequency	850/900/1800/1900 MHz
Antenna Type	Omni-directional
Typical Antenna Gain	0 dBi
Connector	SMA (male)
Impedance	50 ohms
Polarization	Linear, Vertical
HPBW/Horizontal	360°
V.S.W.R.	< 2

### Physical Characteristics

Weight	58 g (0.13 lb)
Length (including base)	85 mm (3.35 in)
Radome Color	Black
Installation	Magnetic mount
Cable	RG-174
Cable Length	3 m

## Environmental Limits

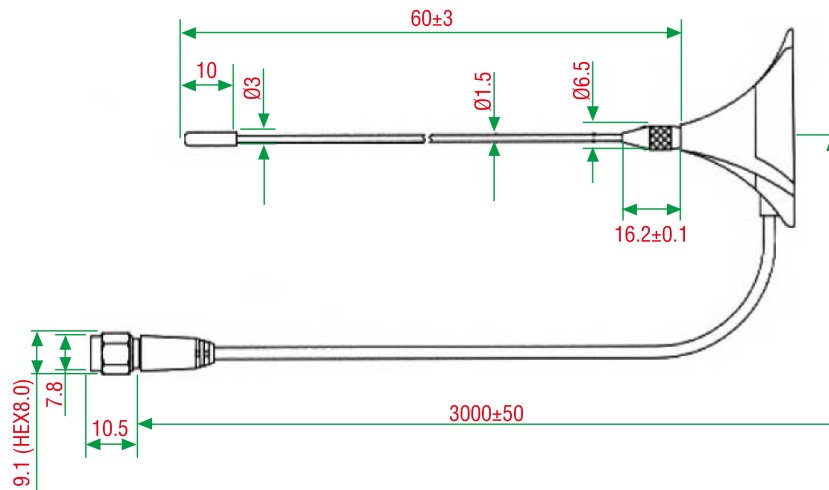
Operating Temperature	-30 to 75°C (-22 to 167°F)
Storage Temperature (package included)	-30 to 75°C (-22 to 167°F)
Ambient Relative Humidity	5 to 95% (30°C, non-condensing)

## Warranty

Warranty Period	1 year
Details	See <a href="http://www.moxa.com/warranty">www.moxa.com/warranty</a>

## Dimensions

Unit: mm



## Ordering Information

Model Name	Frequency	Antenna Type	Antenna Gain	Connector
ANT-CQB-AHSM-00-3m	850/900/1800/1900 MHz	Omni-directional	0 dBi	SMA (male)

© Moxa Inc. All rights reserved. Updated Nov 12, 2018.

This document and any portion thereof may not be reproduced or used in any manner whatsoever without the express written permission of Moxa Inc. Product specifications subject to change without notice. Visit our website for the most up-to-date product information.