

# ioThinX 4530 Series Hardware User's Manual

---

Version 1.1, August 2019

[www.moxa.com/product](http://www.moxa.com/product)



© 2019 Moxa Inc. All rights reserved.

# ioThinX 4530 Series Hardware User's Manual

The software described in this manual is furnished under a license agreement and may be used only in accordance with the terms of that agreement.

## Copyright Notice

© 2019 Moxa Inc. All rights reserved.

## Trademarks

The MOXA logo is a registered trademark of Moxa Inc.  
All other trademarks or registered marks in this manual belong to their respective manufacturers.

## Disclaimer

Information in this document is subject to change without notice and does not represent a commitment on the part of Moxa.

Moxa provides this document as is, without warranty of any kind, either expressed or implied, including, but not limited to, its particular purpose. Moxa reserves the right to make improvements and/or changes to this manual, or to the products and/or the programs described in this manual, at any time.

Information provided in this manual is intended to be accurate and reliable. However, Moxa assumes no responsibility for its use, or for any infringements on the rights of third parties that may result from its use.

This product might include unintentional technical or typographical errors. Changes are periodically made to the information herein to correct such errors, and these changes are incorporated into new editions of the publication.

## Technical Support Contact Information

[www.moxa.com/support](http://www.moxa.com/support)

### **Moxa Americas**

Toll-free: 1-888-669-2872  
Tel: +1-714-528-6777  
Fax: +1-714-528-6778

### **Moxa Europe**

Tel: +49-89-3 70 03 99-0  
Fax: +49-89-3 70 03 99-99

### **Moxa India**

Tel: +91-80-4172-9088  
Fax: +91-80-4132-1045

### **Moxa China (Shanghai office)**

Toll-free: 800-820-5036  
Tel: +86-21-5258-9955  
Fax: +86-21-5258-5505

### **Moxa Asia-Pacific**

Tel: +886-2-8919-1230  
Fax: +886-2-8919-1231

# Safety Symbols



## **DANGER**

Indicates a high-risk, imminently hazardous situation which, if not avoided, will result in death or serious injury.



## **WARNING**

Indicates a moderate risk, which, if not avoided can cause a potentially hazardous situation.



## **CAUTION**

Indicates a low-risk, potentially hazardous situation which, if not avoided, may result in minor or moderate injury.

## **NOTE**

Indicates a potential malfunction which, if not avoided, will not result in damage to property.

## **INFORMATION**

This information is important for preventing errors.

# Table of Contents

<b>1. Preface</b> .....	<b>1-1</b>
Revision History .....	1-2
Relevant Models .....	1-2
Package Contents .....	1-2
Usage Scenarios .....	1-2
Hardware and Software Requirements.....	1-3
Safety Precautions.....	1-3
Additional Resources.....	1-4
<b>2. Product Overview</b> .....	<b>2-1</b>
Specifications.....	2-2
Appearance.....	2-2
Front View .....	2-2
Physical Dimensions .....	2-2
LED Indicators.....	2-3
<b>3. Hardware Installation</b> .....	<b>3-1</b>
Wiring System and Field Power.....	3-2
System Power.....	3-2
Field Power.....	3-3
Wiring Ethernet Ports .....	3-3
Wiring Serial Port(s).....	3-4
Serial Console (Debug Port) .....	3-5
Grounding the Unit .....	3-8
Connecting the System Power Ground .....	3-8
Connecting the Field Power Ground .....	3-8
Mounting the Unit.....	3-9
Installing the Unit on a DIN Rail .....	3-9
Removing the Unit from a DIN Rail .....	3-10
Installing Covers on the Device and the Right-Most I/O Module.....	3-11
Removing a Cover from the Right-Most Module .....	3-11
Horizontal Installation .....	3-12
Powering on the Unit.....	3-12
Reset Button: Factory Reset Process .....	3-12

# 1

## Preface

---

In this chapter, we explain the scope of and how to use this document.

The following topics are covered in this chapter:

- ❑ **Revision History**
- ❑ **Relevant Models**
- ❑ **Package Contents**
- ❑ **Usage Scenarios**
- ❑ **Hardware and Software Requirements**
- ❑ **Safety Precautions**
- ❑ **Additional Resources**

## Revision History

Version	Change	Date
V1.0	First Release	2019-01-25

## Relevant Models

This document is only applicable to the models listed below.

Model Name	Description
ioThinx 4533-LX	Controller with Cortex-A7 1 GHz dual-core CPU, 512 MB RAM, 3-in-1 serial ports, Linux OS, -20 to 60°C operating temperature
ioThinx 4533-LX-T	Controller with Cortex-A7 1 GHz dual-core CPU, 512 MB RAM, 3-in-1 serial ports, Linux OS, -40 to 75°C operating temperature

## Package Contents

The following items are included in the product package.

- The ioThinx 4530 Series device
- Quick installation guide (Printed)
- Warranty card

## Usage Scenarios

The ioThinx 4530 Series advanced controllers have the high computing power required to easily and securely upload field site data to the cloud. For cloud connectivity, the ioThinx 4530 comes with Azure, AWS, and Alibaba Cloud SDKs pre-installed.

Users can take advantage of the built-in cloud examples, removing dependency on the libraries and toolchain configurations. For better control precision, the Moxa Industrial Linux operating system gives the ioThinx 4530 Series the capability to handle computations and control actions at the same time. In addition, the ioThinx 4530 Series helps manage data privacy, and supports both hardware privacy features, such as TPM (Trusted Platform Module, which is optional), and software privacy features, such as secure boot, to help users implement cybersecurity protections. For users who are not proficient at using typical PLC programming languages, the ioThinx 4530 series supports C/C++ and Python, both of which provide more advanced programming options, to help users easily build their own applications.

# Hardware and Software Requirements

You will need the following hardware and software to use the ioThinx 4530 Series.

- A power source that provides 12 to 48 VDC, and power wires
- A PC running Linux OS (we recommend Debian 9, Kernel 4.4) and an Ethernet cable
- 45MR/ML modules, if available

## Safety Precautions

Please observe the following safety precautions when installing and using the ioThinx 4510 Series:



### **DANGER**

Never work on the device while the power source is switched on. Disconnect all power sources to the device before performing installation, repair, or maintenance work.



### **DANGER**

Disconnect the power when you want to remove or replace components, or disconnect equipment unless the area is known to be free of ignitable substances.

- If you connect or disconnect the Removable Terminal Block when field power is applied, an electrical arc can occur. This could cause an explosion when installed in hazardous locations. Ensure that power is removed or the area is nonhazardous before installation.
- If you connect or disconnect wiring while the power is on, an electrical arc can occur. This could cause an explosion in hazardous environments. Ensure that power is removed or the area is nonhazardous before installation.
- Do not disconnect the unit unless the power has been disconnected or the area is known to be nonhazardous. In a hazardous area, the unit must be powered down before removing it.



### **WARNING**

This unit is sensitive to Electrostatic Discharge, which can cause internal damage and affect operations. Follow these guidelines when you handle this unit:

- Touch a grounded object to discharge potential static.
- Wear an approved grounding wristband.
- Do not touch connectors or pins on component boards.
- Do not touch circuit components inside the equipment.
- Use a static-safe workstation, if available.
- Store the device in appropriate static-safe packaging when not in use.



### **WARNING**

Check the voltage supplied by the power source. Make sure the voltage provided by the power source matches the voltage required by the device.

**WARNING**

Check the voltage or current of the sensors or loads. Make sure the voltage and/or current indicated on the sensors or loads corresponds to the specifications of your 45M module before you connect the device.

**WARNING**

Connect your device to an earthed ground.

**CAUTION**

Do not use the device if the device is already damaged. Replace defective or damaged devices to ensure that your devices function properly.

**CAUTION**

Do not attempt to repair the device yourself. If your device needs to be repaired, return the device to Moxa's customer service department. Attempting to repair the device yourself could invalidate the device's warranty.

## Additional Resources

Refer to the following documents for additional information.

- Datasheets for the following products:
  - ioThinx 4530 Series
  - ioThinx 4500 Series (45MR/ML) Modules
- User's Manual for the following products:
  - ioThinx 4500 (45M) Module Series



## Product Overview

---

In this chapter, we give an overview of each ioThinx 4530 Series product.

The following topics are covered in this chapter:

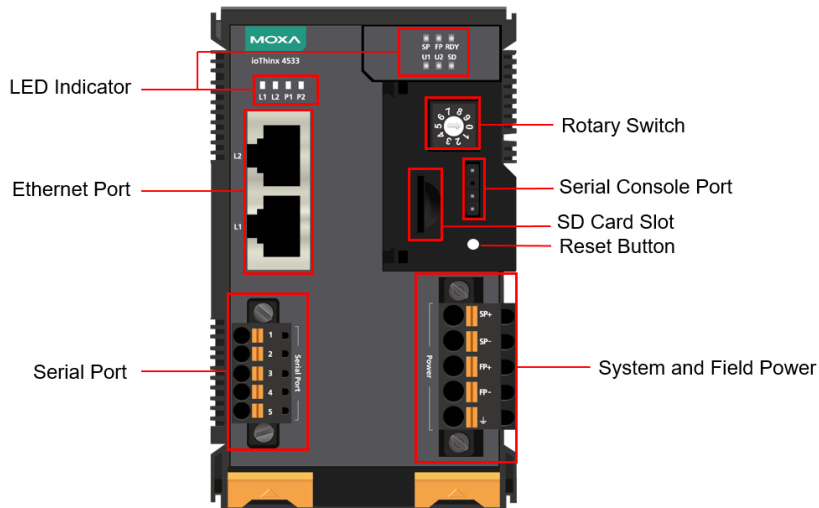
- ❑ **Technical Data**
  - Common Specifications
- ❑ **Appearance**
  - Front View
  - Physical Dimensions
- ❑ **LED Indicators**

# Specifications

**NOTE** The latest specifications for Moxa's products can be found at <https://www.moxa.com>.

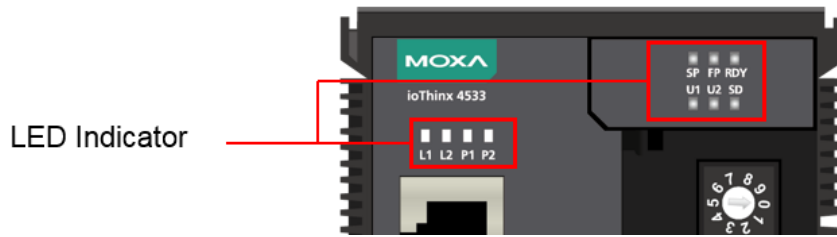
## Appearance

### Front View



### Physical Dimensions

# LED Indicators



Label	Usage	Qty	Color	Action
SP	System Power	1	Green	On: Power on Off: Power off
FP	Field Power	1	Green	On: Power on Off: Power off
RDY	System (kernel)	1	Green/Red	Green: System ready Green (blinking): System is booting up Red: System error, or executing factory default Red (blinking): Triggering factory default, or upgrading the firmware
U1/U2	User defined	1 of each	Green/Red	User-defined
SD	microSD card	1	Green	Green: SD card is inserted OFF: SD card is being accessed
L1/L2	Ethernet	1 of each	Green/ Amber	Green: 100Mb Amber: 10Mb Blinking: Data is being transmitted Off: Inactive
P1/P2	Serial	1 of each	Green/ Amber	Green: Tx Amber: Rx Blinking: Data is being transmitted Off: Inactive

**NOTE** DO NOT DISCONNECT THE POWER OR NETWORK CABLE when the RDY LED is blinking.

# Hardware Installation

---

In this chapter, we describe how to install ioThinX 4530 Series products.

The following topics are covered in this chapter:

❑ **Wiring System and Field Power**

- System Power
- Field Power

❑ **Wiring Ethernet Ports**

❑ **Wiring Serial Port(s)**

❑ **Serial Console (Debug Port)**

❑ **Grounding the Unit**

- Connecting the System Power Ground
- Connecting the Field Power Ground

❑ **Mounting the Unit**

- Installing the Unit on a DIN Rail
- Removing the Unit from a DIN Rail
- Installing Covers on the Device and the Right-Most I/O Module
- Removing a Cover from the Right-Most Module
- Horizontal Installation

❑ **Powering on the Unit**

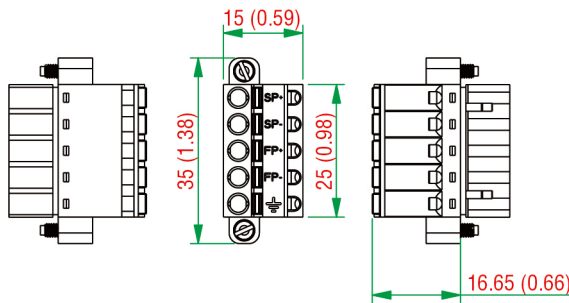
❑ **Reset Button: Factory Reset Process**

# Wiring System and Field Power

Wire range: 12 to 26 AWG (Ferrule diameter: 2.0 to 0.4 mm)

Wire strip length: 10 mm

Unit: mm (in.)



## CAUTION

Be sure to note the maximum possible current for each power wire and common wire. Observe all electrical codes dictating the maximum current allowable for each wire size. If currents exceed the maximum rating, the wires will overheat, which could cause serious damage to your equipment. For safety reasons, we recommend using 2-mm diameter wire to connect to the power supply (e.g., 12 AWG).

## NOTE

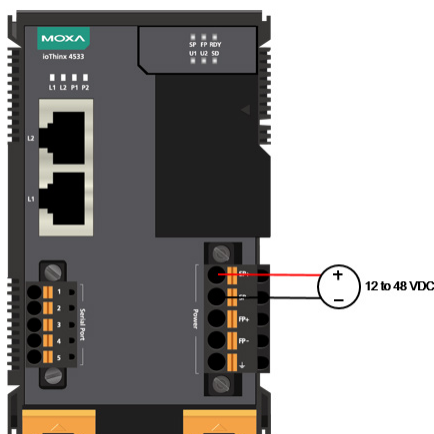
Powering the unit requires connecting both the system and field power to the power supply. If only one of the power sources is connected, the device may not work properly.

## NOTE

We recommended using different power supplies to ensure that the system power and field power are isolated from each other. If using the same power supply for system power and field power, 3 kV or above isolation between them is recommended.

## System Power

This device requires a 12 to 48 VDC system power input. The system power powers this device and the expansion modules via an internal bus, which is galvanically connected to the system power supply.



The amount of system current required to support an expansion module is 1 A. If more modules and more power consumption is needed, an additional power module (45MR-7210) is required. Below is an example:

- 10 x 45MR-1600 (59.4 mA) = 594 mA
- 5 x 45MR-3810 (187 mA) = 935 mA

The total system current is 1.594 A, which is greater than 1 A. Therefore, an additional 45MR-7210 is needed.

**NOTE** Install the 45MR-7210 to the left hand side of the module where the power consumption would be exceeded.

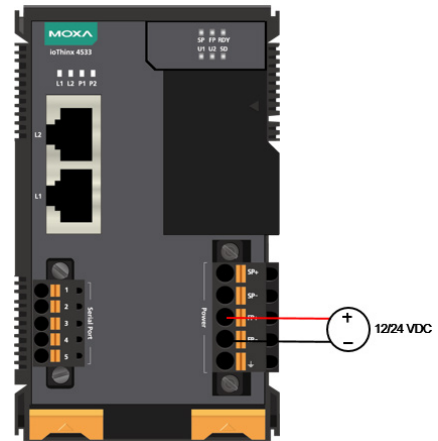
**NOTE** When booting up the device in a low temperature environment, it may take up to two minutes until the device is up and running.

**NOTE** To avoid damaging your devices, reset all power supplies connected to this device and 45MR-7210 modules at the same time.

**NOTE** Click the following link to see how many 45MR-7210 power modules you will need to support your ioThinx 4500 Series project: <http://iothinxcalculator.moxa.com>

## Field Power

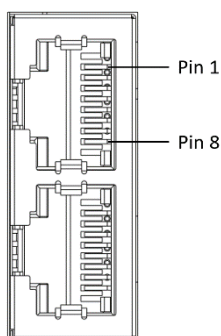
This device provides 12/24 VDC field power input, which is a passive power supply without protection and the maximum current output is 2 A.



**NOTE** The 12/24 VDC field power supply can be connected directly to 45MR modules. If more connection points are needed, purchase 45MR-7820 (8 x FP+ and 8 x FP-) modules.

## Wiring Ethernet Ports

The maximum cable length of a 10/100BaseT connection is usually stated as 100 m (350 feet), but the actual limit for your application could be longer or shorter depending on the amount of electrical noise in the environment. To minimize the amount of noise, Ethernet cables should not run parallel to power cables or other types of cables that generate electrical noise. The following diagram and table shows the pin assignments for the RJ45 Ethernet ports:



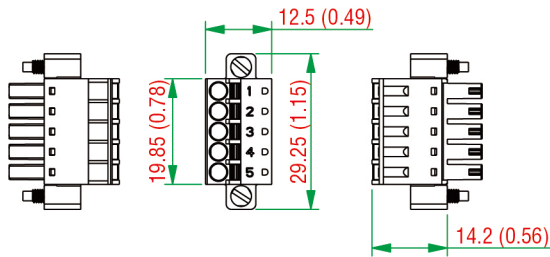
Pin	Media Direct Interface Signal
1	Tx+ (transmit)
2	Tx- (transmit)
3	Rx+ (receive)
4	Not used
5	Not used
6	Rx- (receive)
7	Not used
8	Not used

# Wiring Serial Port(s)

Wire range: 16 to 28 AWG (Ferrule diameter: 1.2 to 0.3 mm)

Wire strip length: 9.0 mm

Unit: mm (in.)



Pin	RS-232	RS-422	RS-485 (P1/P2)
1	TXD	TXD+	DATA1+
2	RXD	TXD-	DATA1-
3	RTS	RXD+	DATA2+
4	CTS	RXD-	DATA2-
5	GND	GND	GND

**NOTE** Connect the signal common pin (e.g. GND pin on the serial port pin assignment) between each of the serial device units. For insulated wire (shielding cable) that is used to reduce electrical noise, connect the cable shield drain wire to the chassis ground.

**NOTE** To ensure that wires are securely connected to terminal block connectors, strip 7 to 9 mm of insulation off the ends of the wires before connecting them to the terminal block.

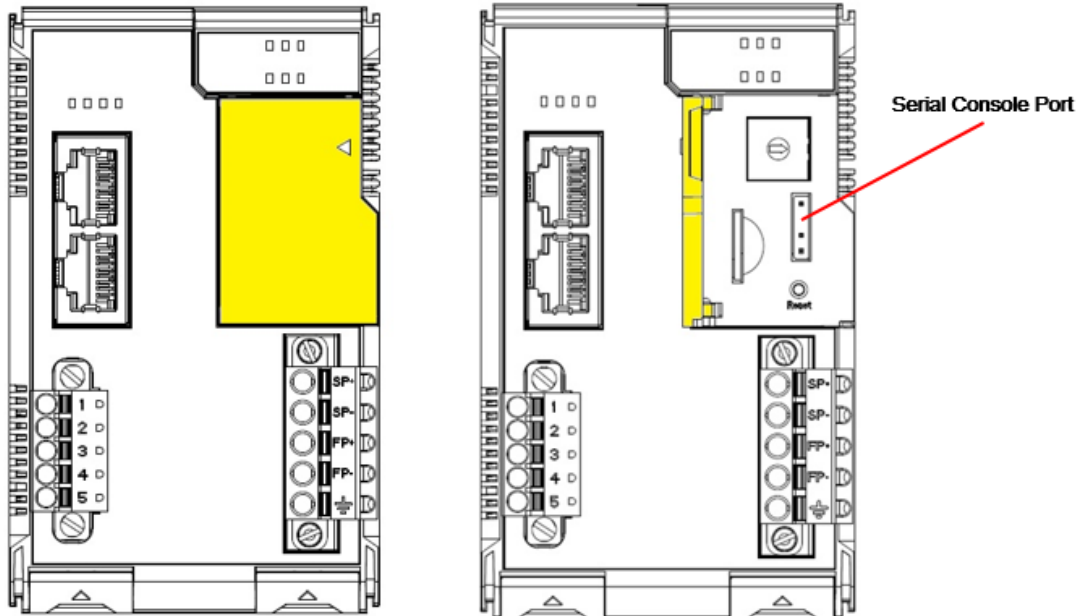
# Serial Console (Debug Port)

The serial console gives users a convenient way of connecting to the programmable controllers. This method is particularly useful when using the computer for the first time. The serial console is also effective for connecting to the Moxa programmable controllers when you do not know target network settings and IP addresses.

## Step 1:

Open the card cover

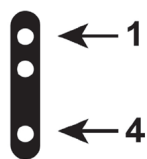
### Console port for the ioThinx Series



## Step 2:

Attach the 4-pin serial console cable to the console port. The following diagram shows the 4-pin serial connector and pin connections.

### Pin Assignment for the Serial Console Port



Pin	Definition
1	TxD
2	RxD
3	NC
4	GND

### Serial Console Default Settings

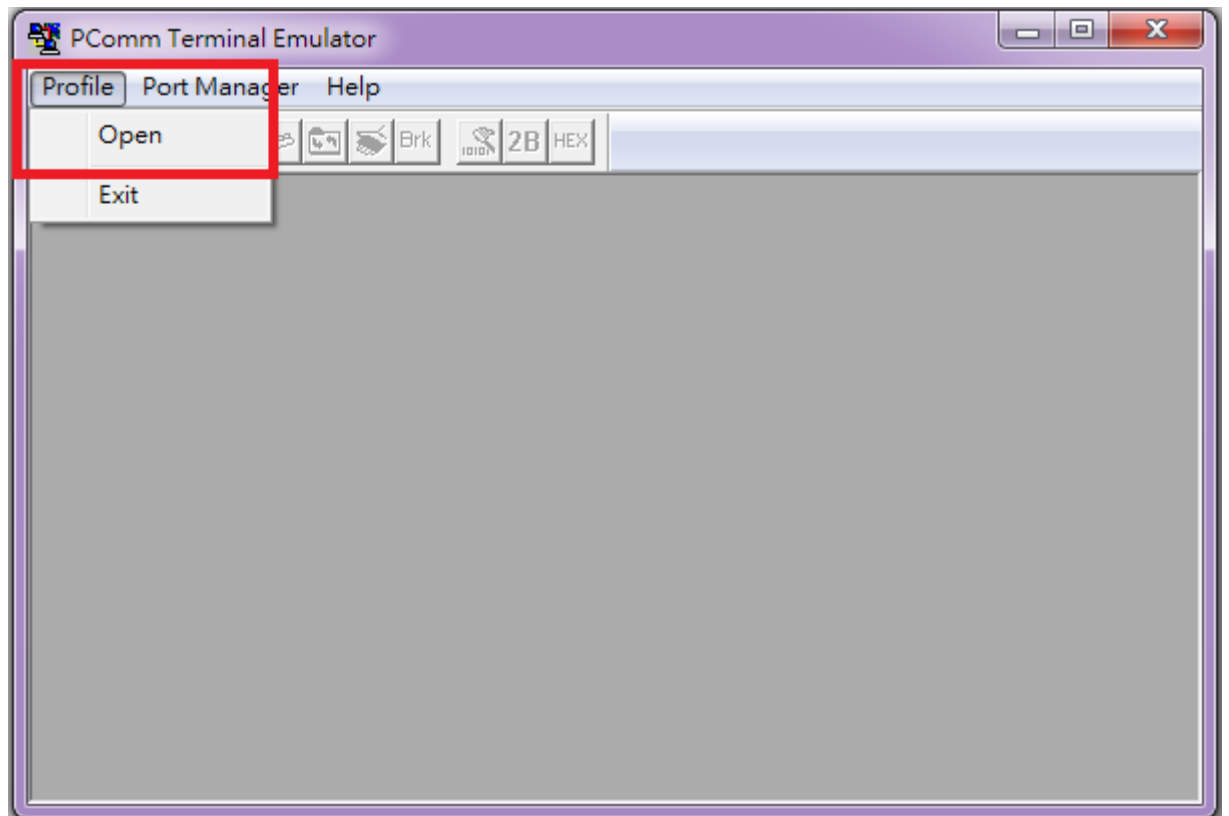
Parameter	Value
Baudrate	115200 bps
Parity	None
Data bits	8
Stop bits	1
Flow Control	None
Terminal	VT100

We recommend using Moxa PComm Terminal Emulator to connect to the serial console. The following steps describe how to connect the console.

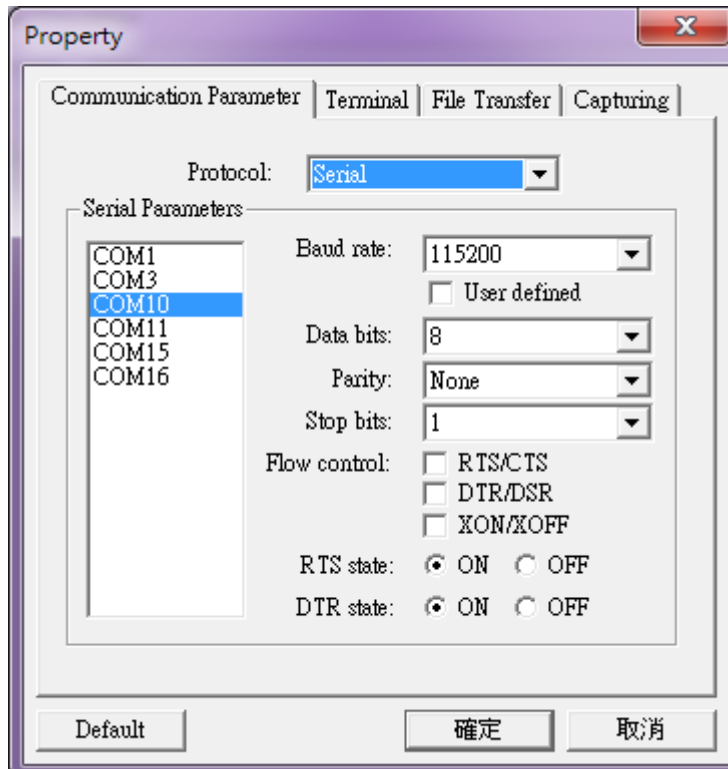
1. Download Moxa PComm Lite from the Moxa website ([www.moxa.com](http://www.moxa.com)).
2. Install Moxa PComm Lite to the host Windows PC.
3. Run PComm Lite Terminal Emulator from **Start** → **Programs** → **PComm Lite Ver 1.x** → **Terminal Emulator**.



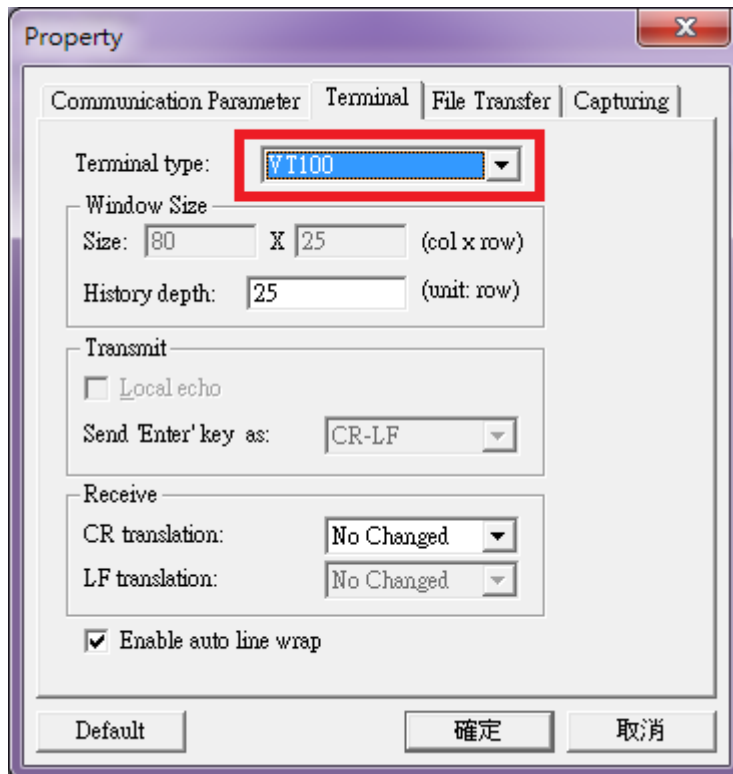
- Click **Profile** → **Open**.



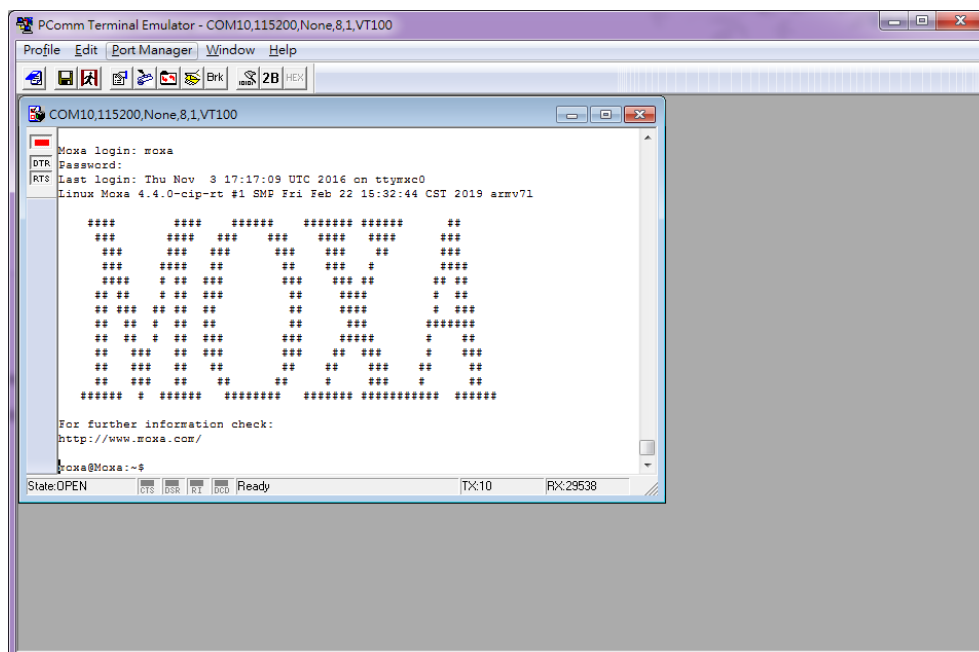
- Specify which COM port is connecting to the Moxa controller, and then use the following configuration settings: 115200, 8, none, 1.



- Click on the Terminal tab and configure the Terminal Type to VT100. Click **OK** to proceed.



- The serial console will be displayed on the terminal screen.

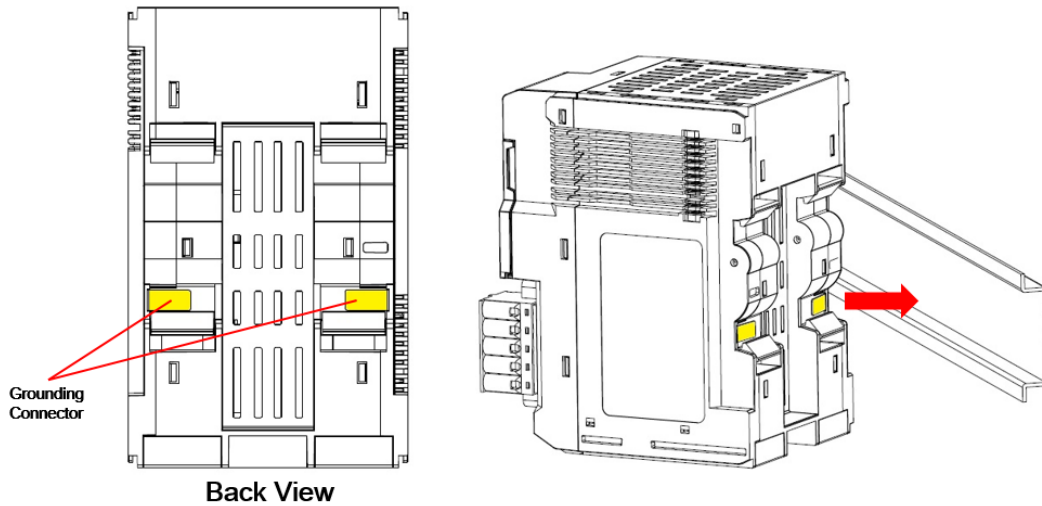


# Grounding the Unit

This device has two ground pins. One pin is for system power and the other pin is for field power.

## Connecting the System Power Ground

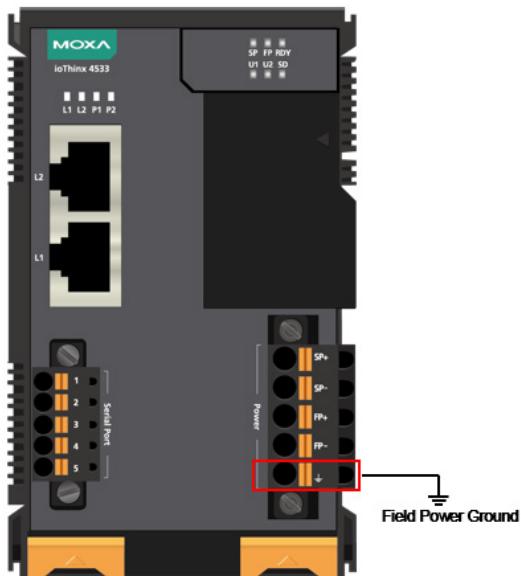
The system power ground connector is at the back of the unit. Once the device has been installed on a DIN rail, the system power ground connector will connect to the DIN rail.



**CAUTION**  
For surge protection, connect the DIN rail to earth ground.

## Connecting the Field Power Ground

Connect the field power ground pin ( $\perp$ ) to your field power ground.



**CAUTION**

Be sure to note the maximum possible current for each power wire and common wire. Observe all electrical codes dictating the maximum current allowable for each wire size. If currents exceed the maximum rating, the wires will overheat, which could cause serious damage to your equipment. For safety reasons, we recommend using 2 mm diameter wire to connect to the power supply (e.g., 12 AWG).

## Mounting the Unit

In this section, we describe how to mount the device on a DIN rail and how to unmount the device from a DIN rail.

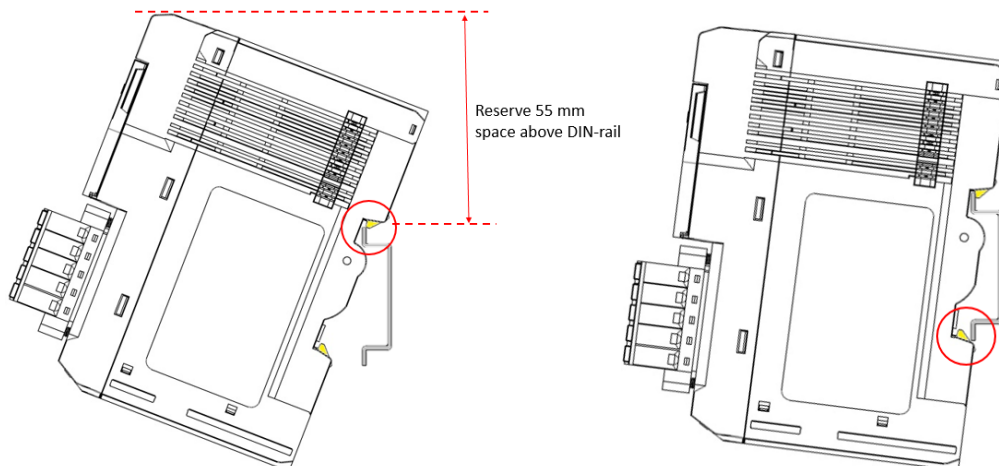
**DANGER**

Never install the device while the power source is switched on.

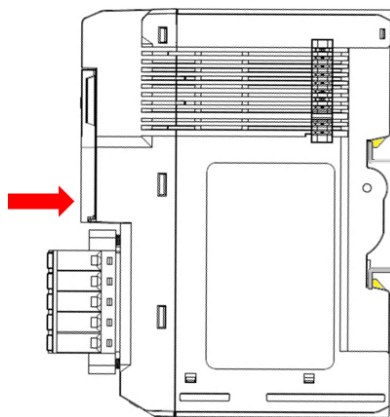
## Installing the Unit on a DIN Rail

Take the following steps to install the unit on a DIN rail.

**Step 1:** Hook the mounting clip of the unit onto the DIN rail, and then lower the clip onto the DIN rail. At least 55 mm of space above the DIN rail should be kept free to ensure that the installation can be done correctly.



**Step 2:** Push the unit towards the DIN rail until the end of the mounting clip snaps into place.

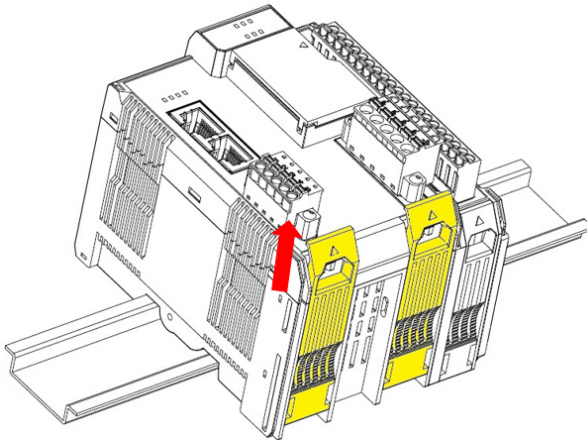


**INFORMATION** When the I/O module is inserted into the correct position, the connection between the internal bus and the previous module is established.

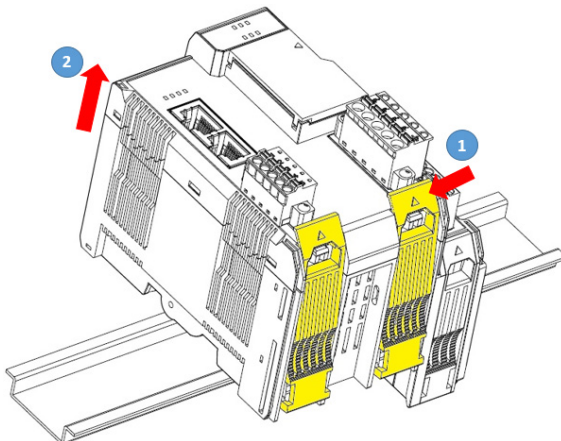
## Removing the Unit from a DIN Rail

Take the following steps to remove the unit from a DIN rail.

**Step 1:** Use your finger to pull the release tab on the lower part of the module.



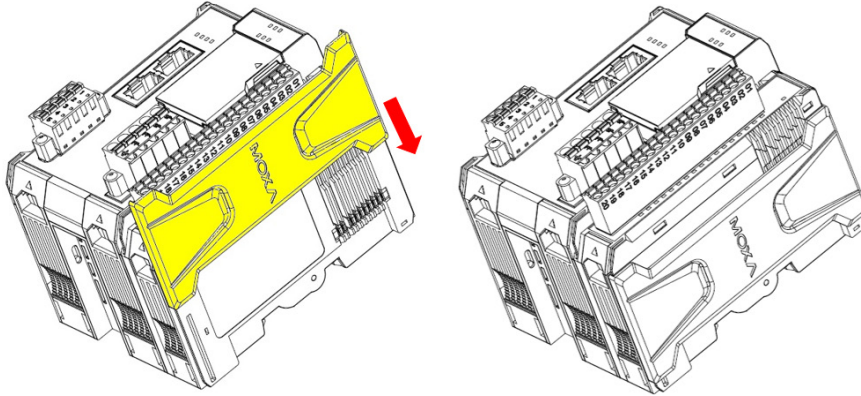
**Step 2:** Press the release tab (item 1 in the figure) and then remove the CPU module from the DIN rail (item 2 in the figure).



**NOTE** Disconnect all connections, including Ethernet, serial, and power cables, from the device before removing the device from the DIN rail.

## Installing Covers on the Device and the Right-Most I/O Module

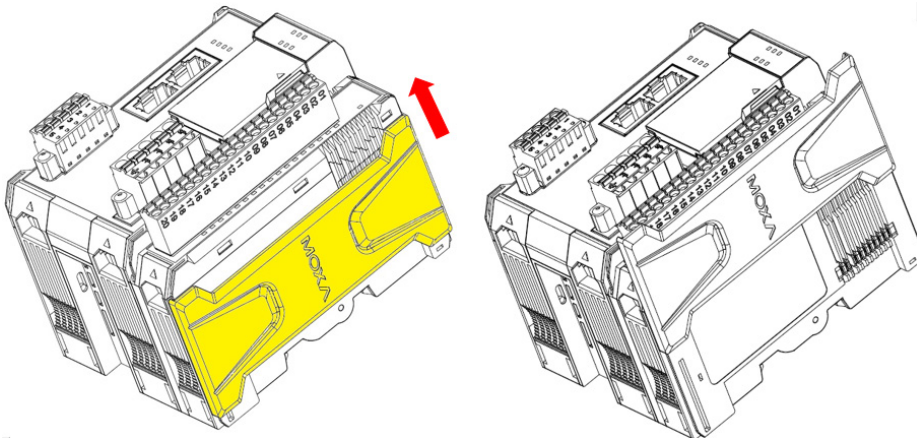
Insert the covers on the left side of the device and on the right side of the I/O module that is installed furthest to the right. Make sure the covers cover the internal bus of the module.



**NOTE** The covers provide protection against electrostatic discharge.

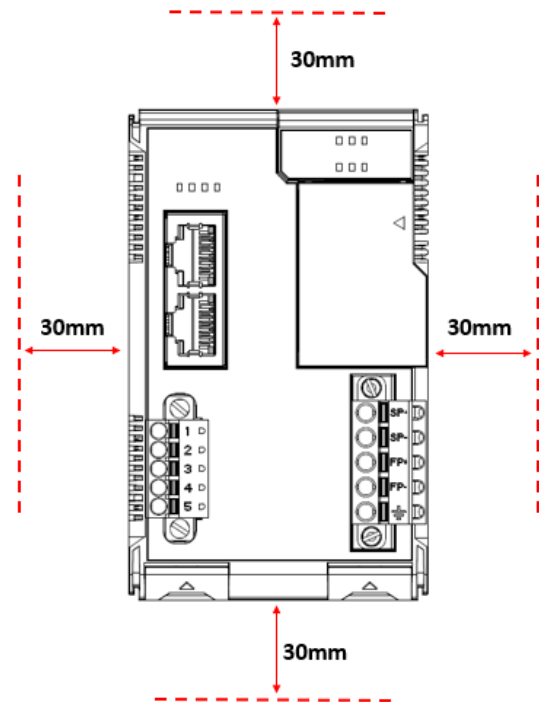
## Removing a Cover from the Right-Most Module

Before adding a new module to the right-most module, remove the cover first. Place your hand on the cover and slide it up as indicated in the diagram below.



## Horizontal Installation

Before installing the device, ensure there is enough space around the device so that it can dissipate heat. In order to ensure the device works properly, we suggest reserving the space shown in the figure below.



### CAUTION

DO NOT install the device vertically, as the fan-less heat dissipation design will not perform as intended.

## Powering on the Unit

After turning on the power supply, it will take 5 to 10 seconds for the operating system to boot up. The green Ready LED will illuminate continuously until the operating system is ready.

## Reset Button: Factory Reset Process

Use the following procedure to reset the ioThinx to the factory defaults. Note that when you reset the ioThinx, all of your tag definitions, software programs, and files will be deleted, and the service and runtime engine will be restarted.

1. Power off the device.
2. Press and hold the reset button; while holding the reset button:
  - a. Power on the device; the RDY LED will blink green while the device is booting up.
  - b. After the device has booted up, the RDY LED will blink red; continue holding the reset button until the RDY LED stops blinking.
3. Release the reset button to load the factory default settings.

**NOTE** Do NOT power off, operate, or connect any devices when the RDY LED is a solid red. The factory reset function is only activated when the system is booting up.

**NOTE** It should take about 20 seconds from the time the RDY LED starts blinking green until it stops blinking red.